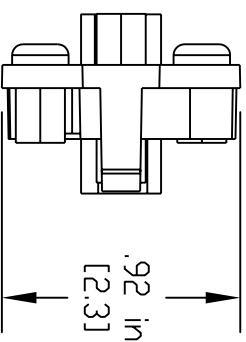
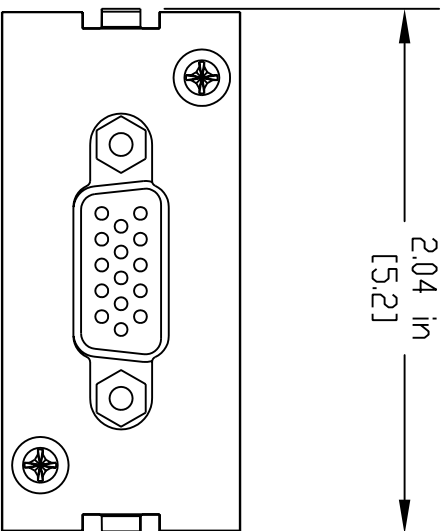
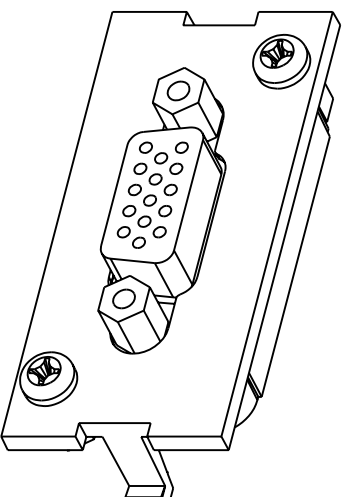
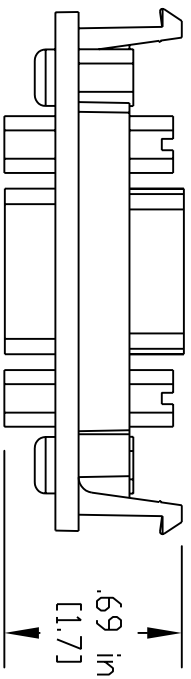


CATALOG NO.	DESCRIPTION	WEIGHT (lbs.)
UNA-FX-VGA15-XX	15-PIN VGA COUPLER	0.100



- NOTES:
1. SEE UNIPRISE CATALOG FOR PART NUMBER SUFFIXES TO INDICATE COLOR/PKG.
 2. SEE UNIPRISE CATALOG FOR COMPLETE LIST OF PARTS RELATED TO THE USE OF THIS PRODUCT.
 3. DIMENSIONS IN PARENTHESES ARE IN METRIC.

UNA-FX-VGA15-XX

COMMSCOPE, INC HICKORY, NORTH CAROLINA

Uniprise

DRAWN BY

DATE

DWG NO.

REV	DATE	ECR	DESCRIPTION	BY