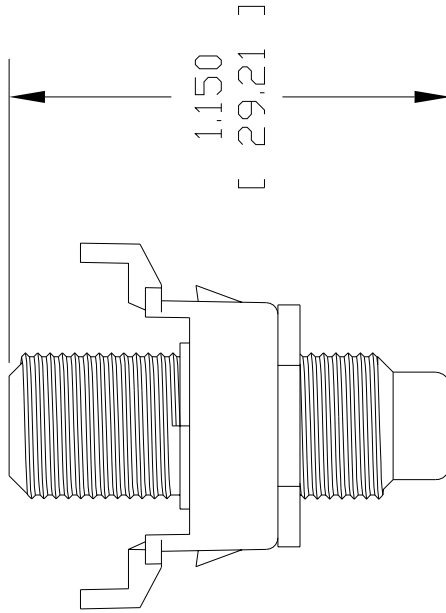
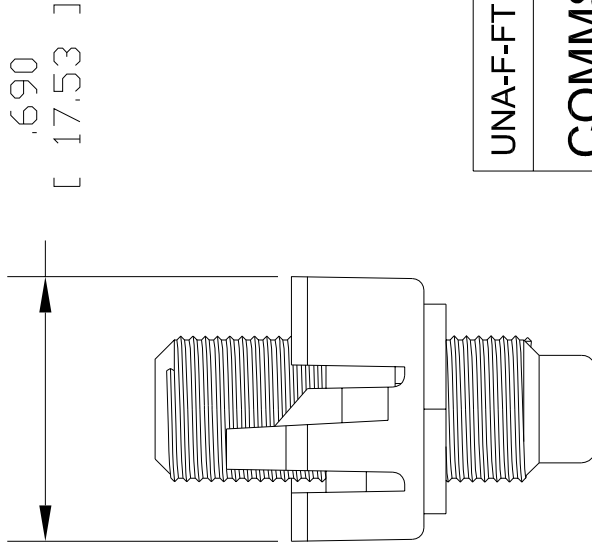
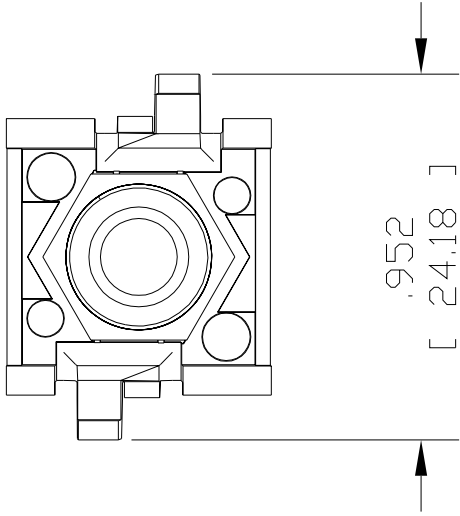


CATALOG NO.	DESCRIPTION	WEIGHT (lbs.)
UNA-F-FT	COUPLER, SELF TERMINATING F-CONNECTOR	0.05

NOTES:

1. SEE UNIPRISE CATALOG FOR PART NUMBER SUFFIXES TO INDICATE COLOR/PKG.
2. SEE UNIPRISE CATALOG FOR COMPLETE LIST OF PARTS RELATED TO THE USE OF THIS PRODUCT.
3. DIMENSIONS IN PARENTHESES ARE IN METRIC.
4. PART INCLUDES:
(4) FACEPLATE ADAPTERS (BLACK, GRAY, IVORY, WHITE)
(1) SELF TERMINATING F-CONNECTOR



UNA-F-FT

COMMSCOPE, INC HICKORY, NORTH CAROLINA

Uniprise

DRAWN BY

DATE

BY

DESCRIPTION

ECR

DATE

REV

DWG NO.