



# ATC200-LITE-USB Teletilt<sup>®</sup> Control System

## Computer Interface Setup



## ATC200-LITE-USB Program Installation and Controller Setup

### 1. General information.

This bulletin provides a quick reference approach to establishing communication between the ATC200-LITE-USB Teletilt® controller and a local PC/laptop (see Bulletin 639536 for the complete user guide). This controller is equipped with both a USB port for user friendly connectivity to a local PC/laptop and a serial port for applications where a USB port is not available on the PC.

#### Pre-Installation Notes:

- Andrew recommends that you register online to receive notifications for updates made to the software and antenna definition file. It is also recommended that the Andrew web site be checked every 30 days for updated software/documentation.
- **The controller MUST remain disconnected from the computer and its power supply during the ATCLite software installation process.**
- Before installing antennas equipped with actuators to the tower, each actuator should be connected to the controller and tested for proper operation. Refer to the ATC200-Lite-USB User Guide (Bulletin 639536) for detailed guidance. Guides for system installation and operation instruction are included with the ATC200-LITE-USB controller or Teletilt antenna.
- It is recommended that prior to antenna installation on the tower, the serial number, antenna type, and location the antenna will be installed at on the tower be recorded on the Site Configuration Worksheet provided.
- Site information can be saved on the PC/laptop for future reference. Although data is stored in the actuator, it cannot be saved in the controller.

### 2. Program download.

- Download the ATC Lite software zip file. From the Andrew→Products tab on www.commscope.com, click on Antennas→Base Station Antenna Systems→Teletilt RET System→Downloads→Teletilt RET Products Software, Firmware, Tools, and Manuals. Select the **ATC Lite v6.0 Software** link (See Figure 1).
- This zip file can be placed in any directory on the PC's local C:\ drive. Double-click on the zip file to extract the ATC Lite setup file and its supporting installation documentation. Double click on the setup file (eg. **ATCLite60Setup.msi**) to begin the installation process. Note that the number shown in the filename represents the software release version.

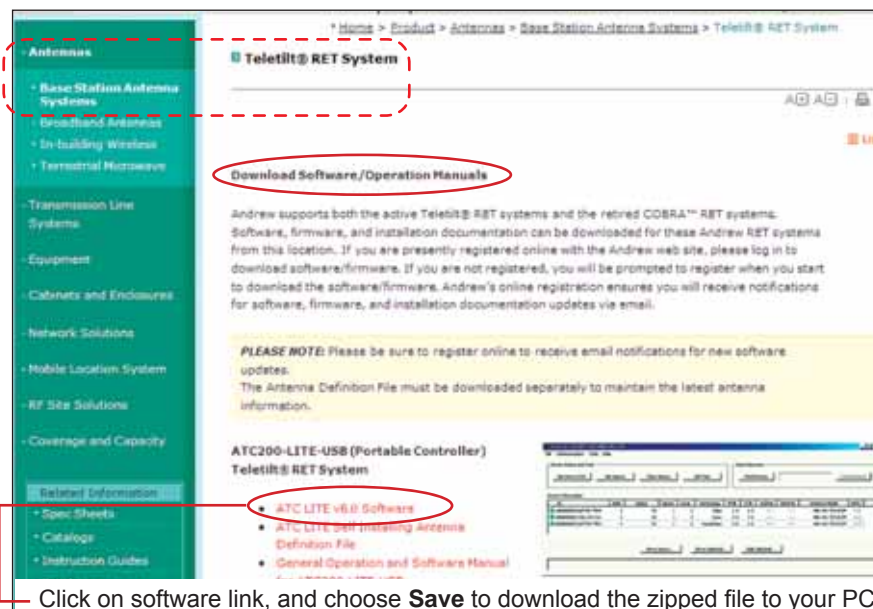


Figure 1. ATC200-LITE-USB Controller Software Download.

### 3. Program installation.

- Disconnect the controller from the computer and its power supply. Do not connect the controller to the computer at any time during the software installation.
- Double-click on the setup file (eg. **ATCLite60Setup.msi**). Note that the number preceding the file extension represents the software version.
- Follow the on-screen prompts to complete the software installation.
- Figure 2 shows the active installation screen.

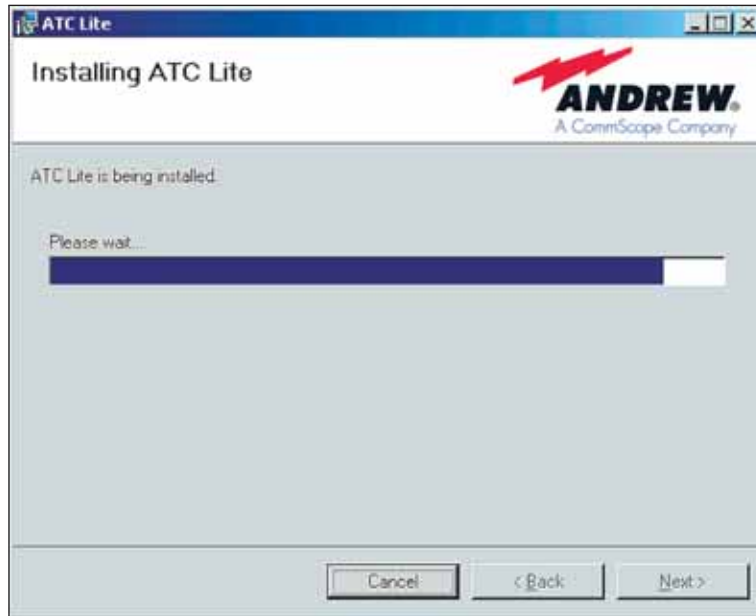


Figure 2. ATC200-LITE-USB Controller Installation Screen.

### 4. Controller interface connections.

- The controller serves as an interface between a local PC/laptop and the ATM200 RET actuator/antenna system. The ATC200-LITE-USB controller provides signal level conversion from a PC to RS-485 (used in the ATM200 actuators), as well as power to the ATM200 actuators that are attached to the antennas.
- LEDs on the controller are used to indicate power and data communication. The ATC200-LITE-USB controller is equipped with a USB port, as well as a RS-232 serial port for flexibility in connecting to a PC. See Figure 3.

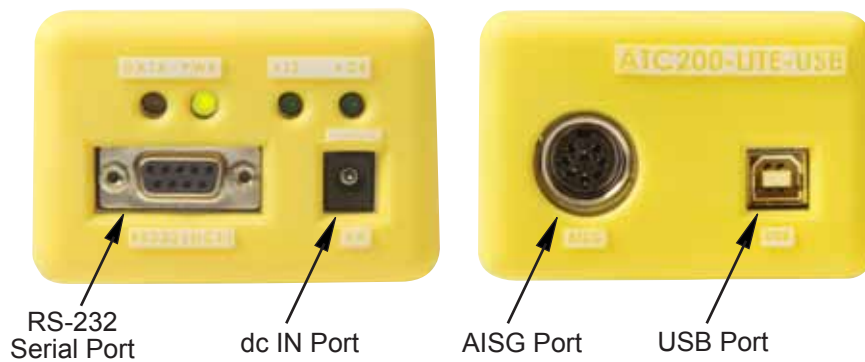


Figure 3. ATC200-LITE-USB Controller End Panels.

## 5. Setup for a USB connection and driver installation.

This procedure is **only** required the first time the controller is accessed through a USB connection.

Ensure there are no serial connections to the controller.

The ATCLITE software must be installed (but not running) prior to installing the USB driver.

- A. After the controller software has been installed, connect the supplied 24 Vdc power converter to the dc IN port on the controller.
- B. Connect the supplied USB cable to the controller and the local PC/laptop. The PC will detect and notify you that it has found a new device.
- C. Make the following selections to install the USB driver for the ATC200-LITE-USB controller when prompted by the PC/laptop:
  - Select **No, not this time**, and click on **Next** from the first screen. See Figure 4.
  - Select **Install from a list . . .**, and click on **Next** from the second screen.
  - Click on **Browse** and locate the C:\Program Files\Andrew Corporation\ATCLite directory. Click on **OK**, then click on **Next** from the third screen.
  - When prompted, click on **Continue Anyway**, and then click on **Finish** from the final screen.
- D. After installing the USB driver, connect the desired length RET control cable between the controller's AISG connector and the first component in the RET system (or actuator that is to be tested before the antenna is mounted on the tower). See Figure 7.



Figure 4. The New Hardware Wizard Installs the USB Driver.

6. After the USB driver has been installed and the controller is connected to the RET device/system, the controller software can be launched at any time.

Double click on the ATCLite icon (Figure 5) placed on the desktop to start controller operation.



Figure 5. ATCLite Application Icon.

## 7. Setup for a serial connection.

- Verify that the controller is powered up and connected to the computer using the supplied RS-232 serial cable and there is not a USB connection to the controller.
- Start the ATCLite program. Since a USB connection is not detected, the computer will prompt you to use a serial connection. Click **Yes** to allow the computer to search for an available serial port. See Figure 6. COM1 is the default used, if it is available. If COM1 is not available, the computer will automatically search for the next available serial port in the range of 1–8.
- After the serial connection has been established, connect the desired length RET control cable between the controller's AISG connector and the first component in the RET system (or actuator that is to be tested before antenna is mounted on the tower).

## 8. Device search.

- After the serial or USB connection has been established and the controller is connected to the RET device/system, a device search can be started. Refer to the Equipment Installation Overview provided for additional information.

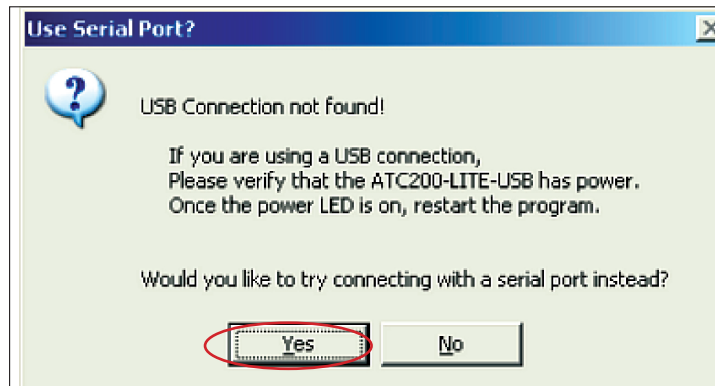


Figure 6. ATC200-LITE-USB Serial Connection.

### **IMPORTANT Precautions**

- Disconnect the ATC200-LITE-USB controller from the RET system at the end of each session to prevent possible damage to RET devices.
- The controller **MUST** remain disconnected from the computer and its power supply during the ATCLite software installation process.
- Before installing and operating the ATC200-LITE-USB controller, please **DOWNLOAD** the latest antenna definition file and ATCLite/ATM200 software files from the Andrew→Products tab on [www.commscope.com](http://www.commscope.com). Click on Antennas→Base Station Antenna Systems→Teletilt RET System→Downloads→Teletilt RET Products Software, Firmware, Tools, and Manuals.
- Please register online to receive E-mail notifications for updates made to the software and antenna definition files. Andrew recommends that the website be checked every 30 days for updated software/documentation.

Note: See [www.commscope.com](http://www.commscope.com) for complete user guide, Bulletin 639536.

**Andrew, A CommScope Company**  
**Customer Support Center**  
North America: +1-800-255-1479,  
Option 1  
International: +1-779-435-6500,  
Option 1

[www.commscope.com/andrew](http://www.commscope.com/andrew)

Visit our Web site at [www.commscope.com](http://www.commscope.com) or contact your local Andrew representative for more information.

© 2009 CommScope, Inc. All rights reserved.

Andrew is a trademark of CommScope. All trademarks identified by ® or ™ are registered trademarks or trademarks, respectively, of CommScope. This document is for planning purposes only and is not intended to modify or supplement any specifications or warranties relating to Andrew products or services.

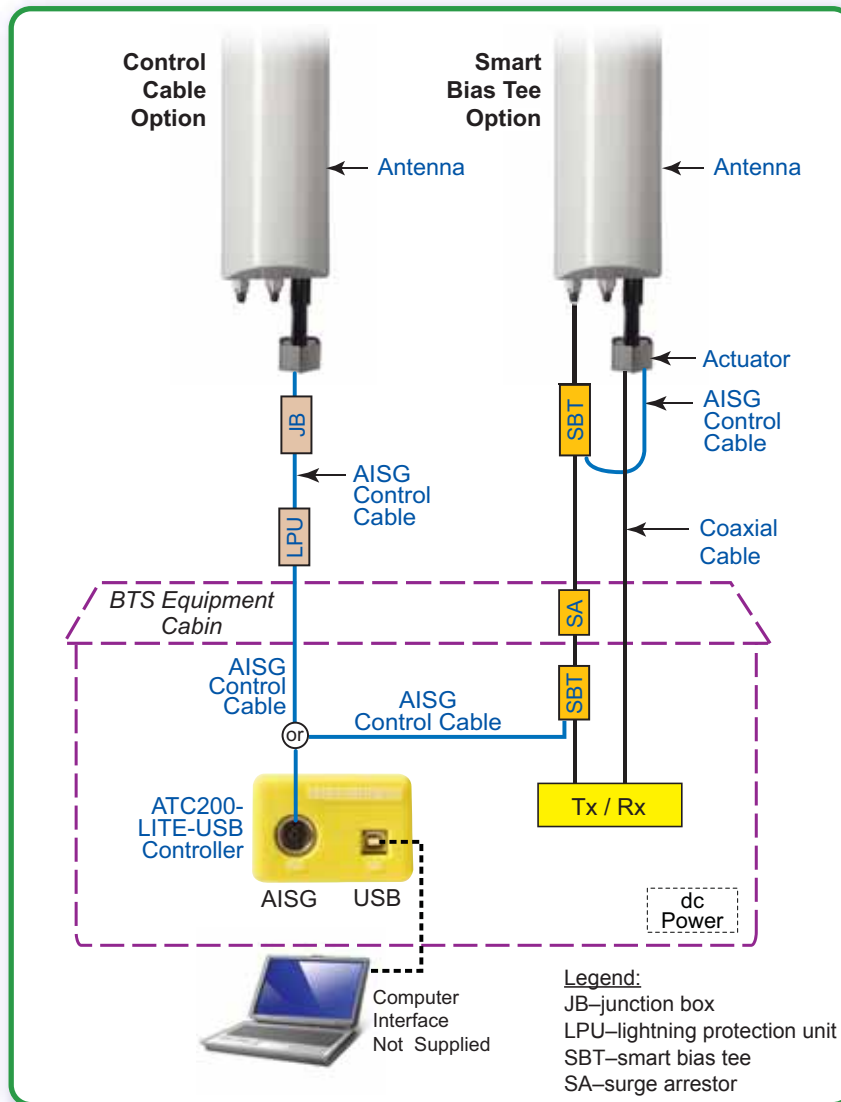


Figure 7. Installed ATC200-LITE-USB Controller System.

### WARRANTY NOTICE

Proper installation procedures must be followed when installing and operating RET equipment. Failure to assure installations are done properly by trained installation personnel and to follow procedures discussed in this bulletin may cause warranty for such products to be void.

Andrew requires that all RET installations be pre-tested and configured prior to installation. Failure to conduct pre-test and pre-installation procedures defined by Andrew will void warranty.

### SAFETY NOTICE

The installation, maintenance, or removal of an antenna requires qualified, experienced personnel. Andrew installation instructions are written for such installation personnel. Antenna systems should be inspected once a year by qualified personnel to verify proper installation, maintenance, and condition of equipment.

Andrew disclaims any liability or responsibility for the results of improper or unsafe installation practices.



Do not install near power lines. Power lines, telephone lines, and guy wires look the same. Assume any wire or line can electrocute you.



Do not install on a wet or windy day or when lightning or thunder is in the area. Do not use metal ladder.



Wear shoes with rubber soles and heels. Wear protective clothing including a long-sleeved shirt and rubber gloves.

*Installation Training Available at Andrew Institute*