

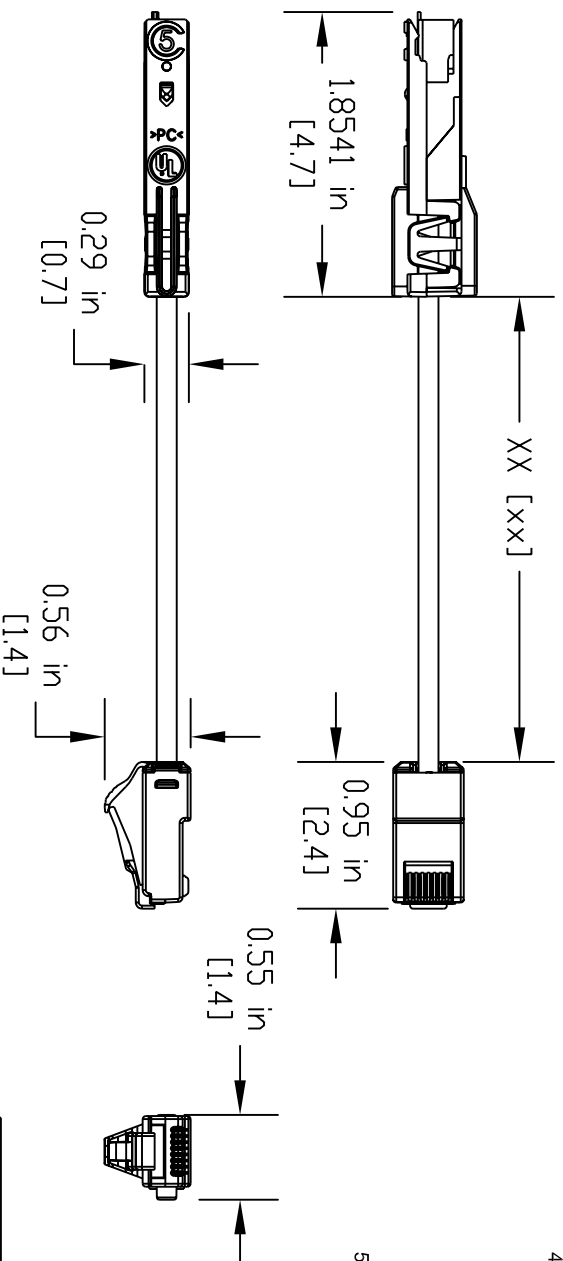
CATALOG NO.	DESCRIPTION	WEIGHT (lbs.)
UNC5-1P-110-RJ45-ZZ-XXF	CAT 5E 1-PAIR 110 TO RJ45 CORD	0.357--2.2

NOTES:

1. SEE UNIPRISE CATALOG FOR PART NUMBER SUFFIXES TO INDICATE COLOR/PKG.
2. SEE UNIPRISE CATALOG FOR COMPLETE LIST OF PARTS RELATED TO THE USE OF THIS PRODUCT.
3. DIMENSIONS IN PARENTHESES ARE IN METRIC.

4. XX [xx] = 3 ft [91.44cm] for 3F
 = 5 ft [152.40cm] for 5F
 = 7 ft [213.36cm] for 7F
 = 10 ft [274.32cm] for 10F
 = 12 ft [365.76cm] for 12F
 = 15 ft [457.2cm] for 15F
 = 20 ft [609.6cm] for 20F

5. ZZ=GRAY(GY)



UNC5-1P-110-RJ45-ZZ-XXF

COMMSCOPE, INC HICKORY, NORTH CAROLINA

Uniprise®

DRAWN BY		DATE	
DESCRIPTION		BY	
REV	DATE	ECR	DWG NO.