

Amplifier Installation Guide

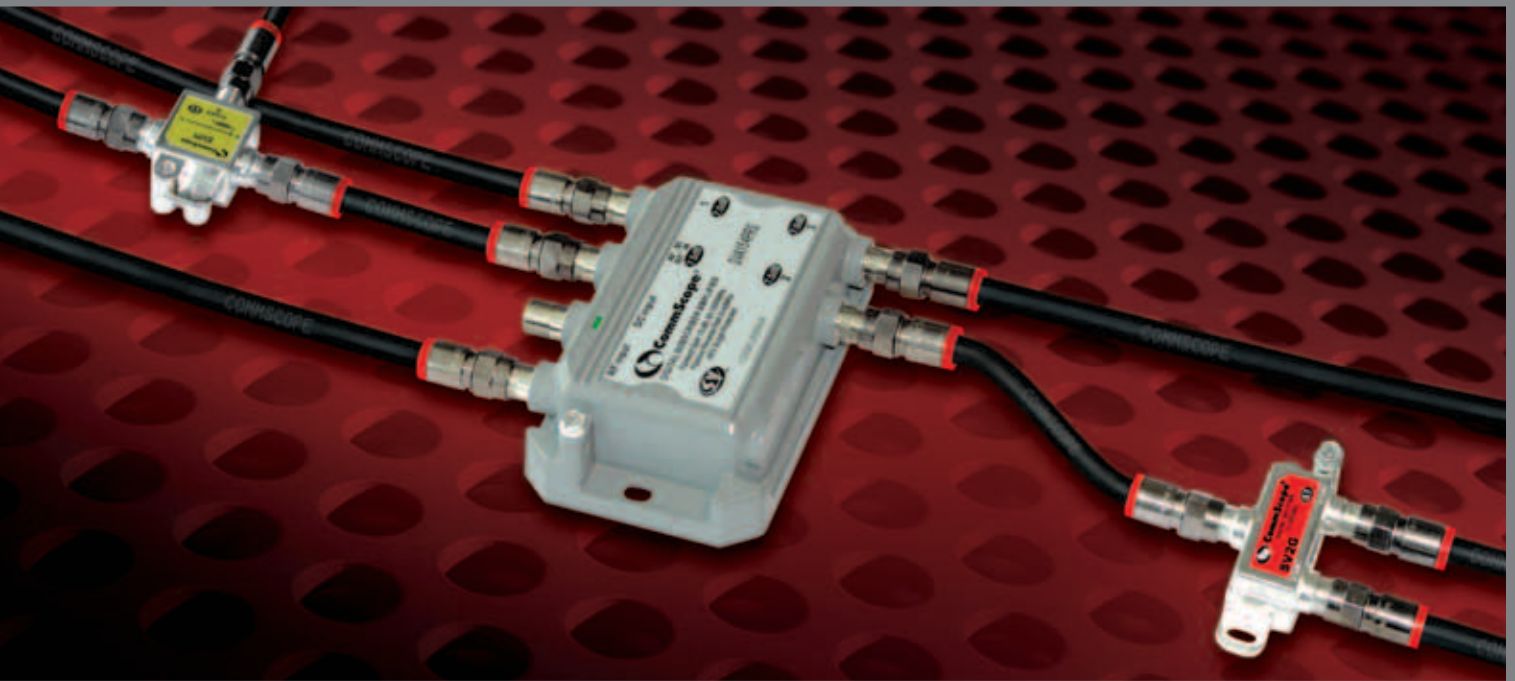


Table of Contents

Standard Installation

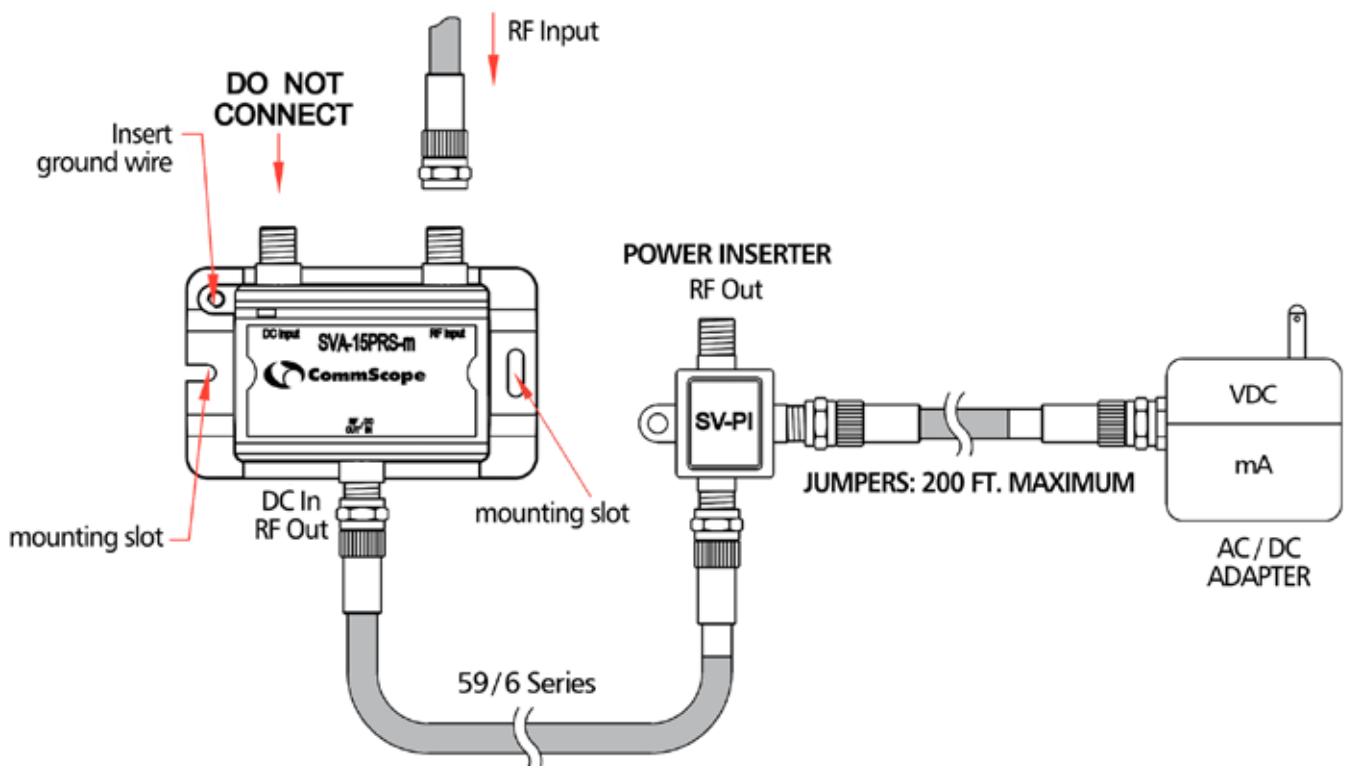
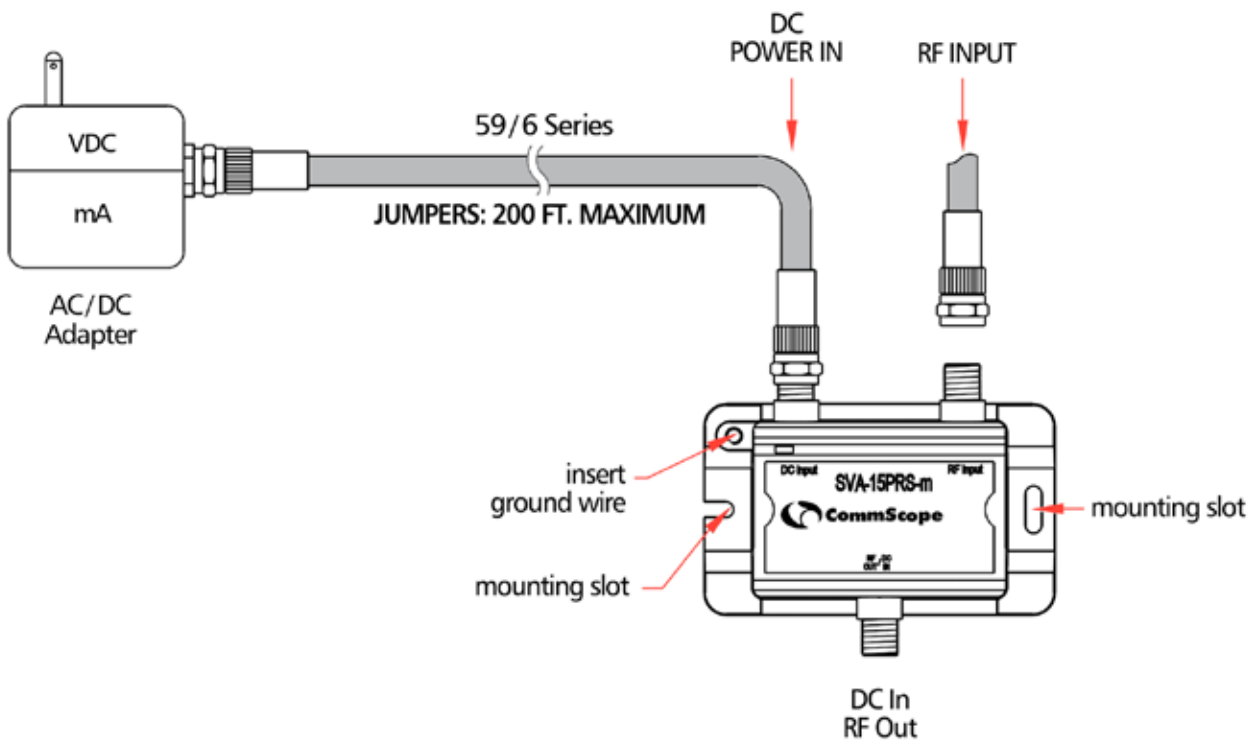
SVA-15PRSM Subscriber Amplifier	2
SVA-15PRSMS Subscriber Amplifier.....	3
SVA-152PRSM Subscriber Amplifier	4
SVA-154PRS Subscriber Amplifier.....	5
SVA-158PRS Subscriber Amplifier.....	6

Passive VoIP Installation

SVA-152PRSV P Subscriber Passive VoIP Amplifier	7
SVA-154PRSV P Subscriber Passive VoIP Amplifier	8
SVA-15158AFRSVP Subscriber Passive VoIP Amplifier	9

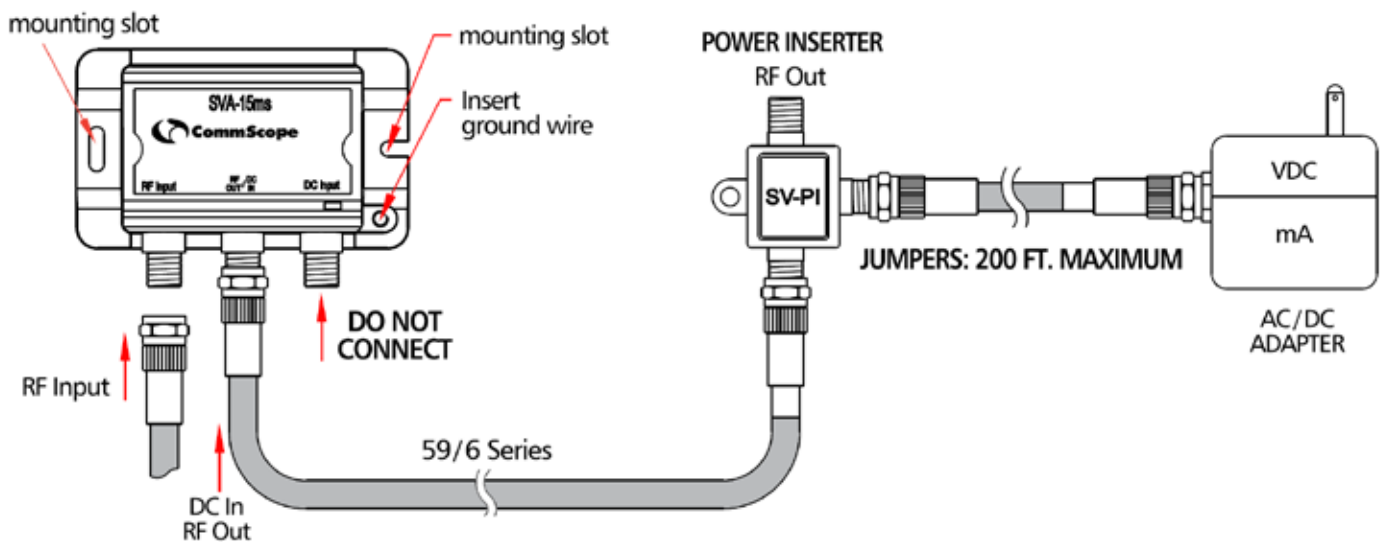
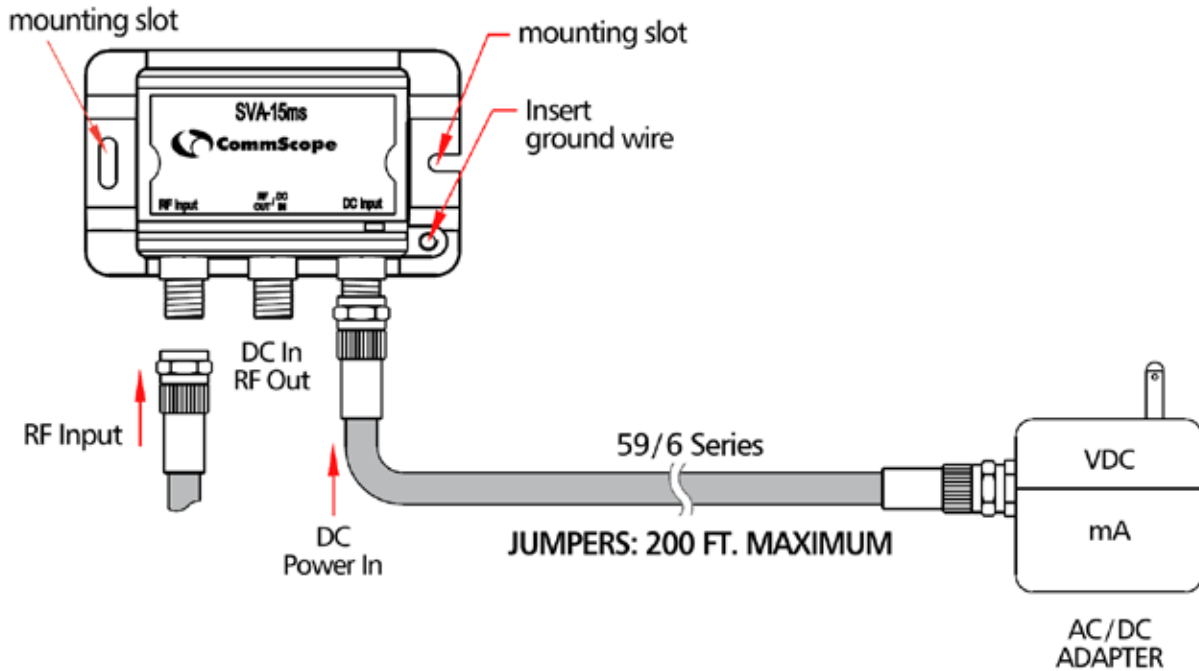
Installation Instructions

(As seen on amplifier package material)



NOTE: Please follow standard recommended cable connectorization and installation practices.

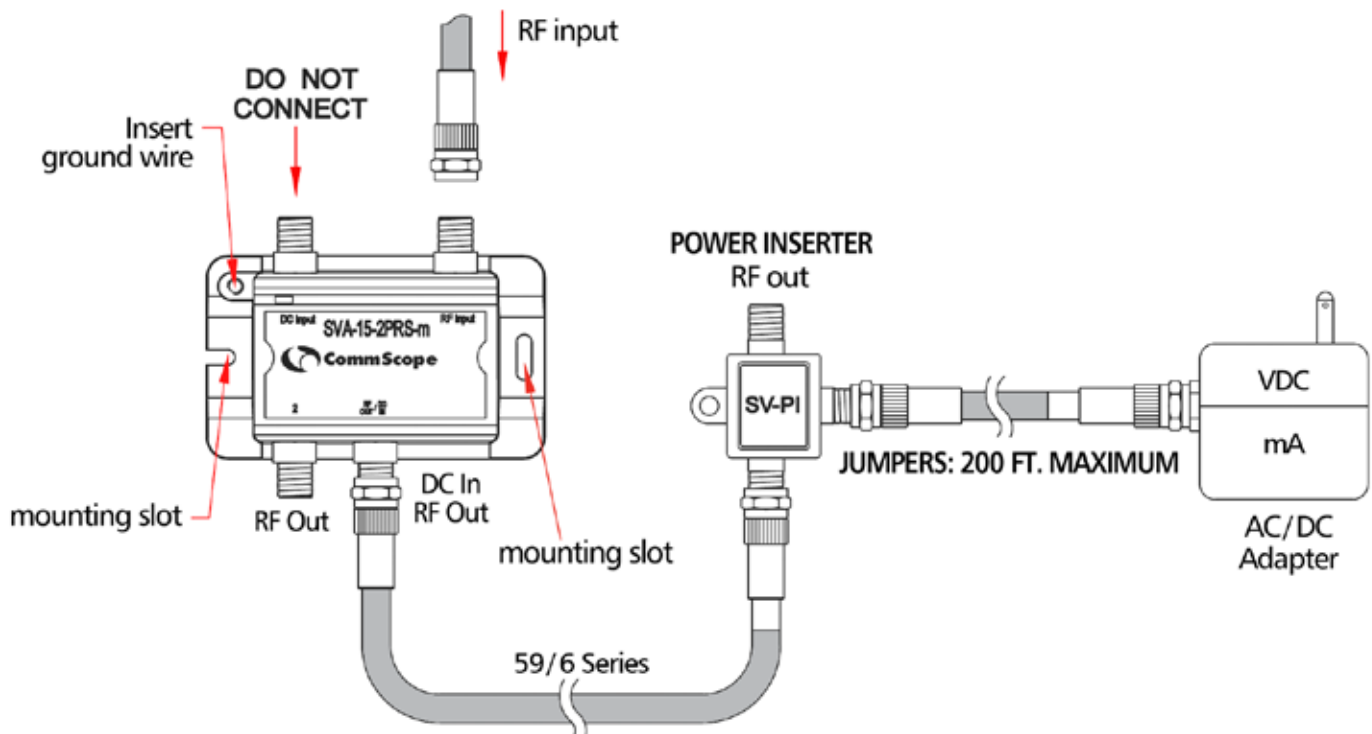
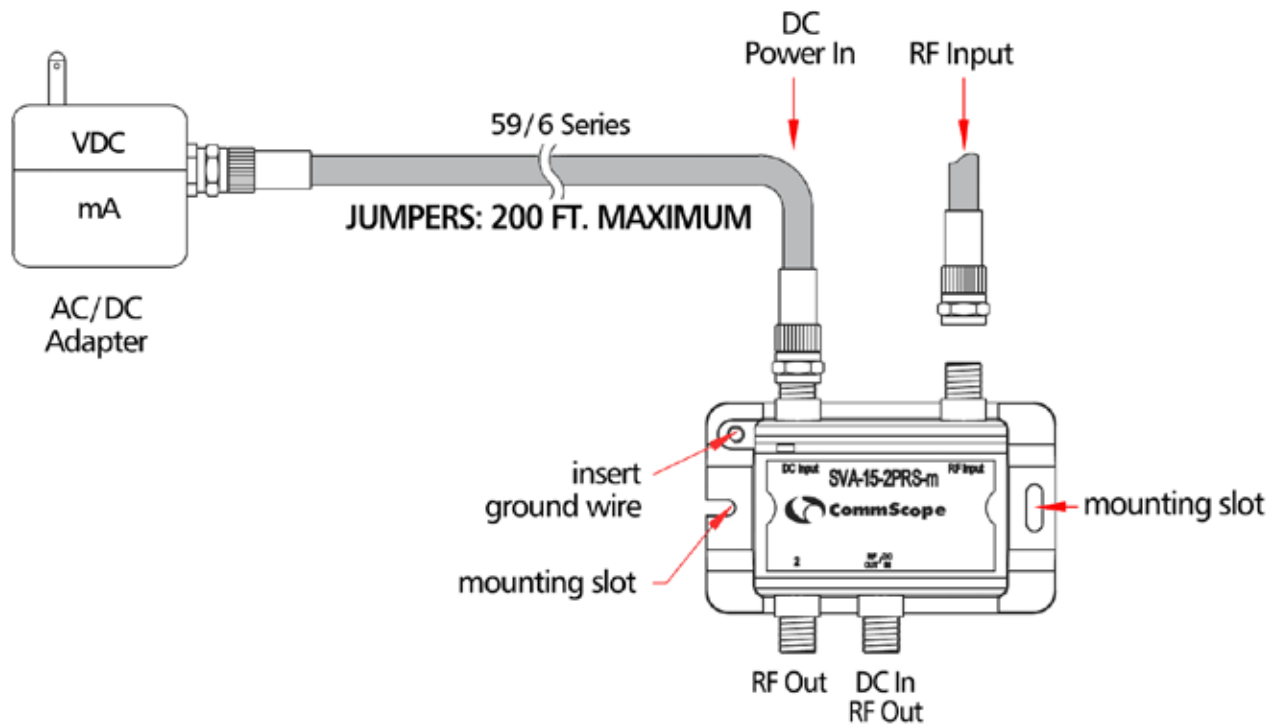
Installation Instructions
(As seen on amplifier package material)



NOTE: Please follow standard recommended cable connectorization and installation practices.

Installation Instructions

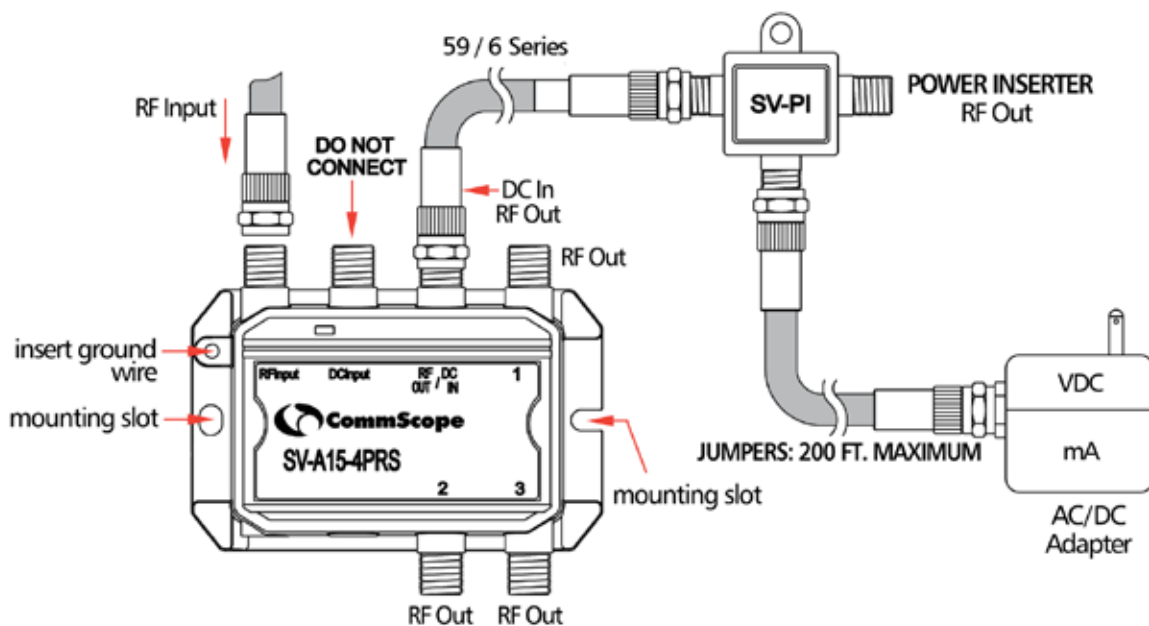
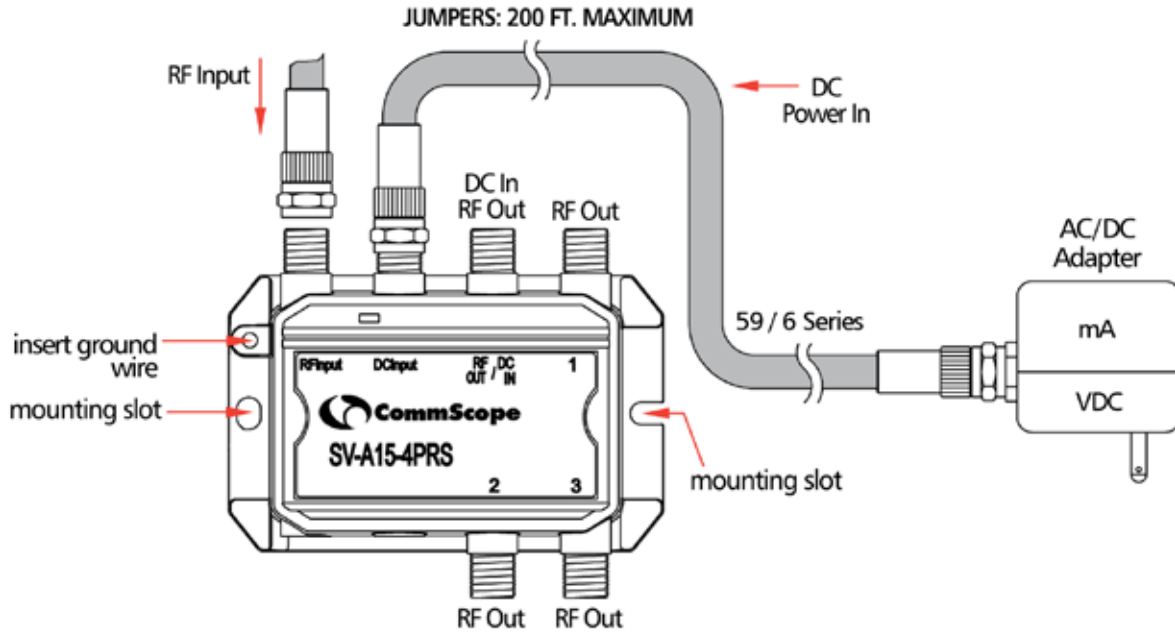
(As seen on amplifier package material)



NOTE: Please follow standard recommended cable connectorization and installation practices.

Installation Instructions

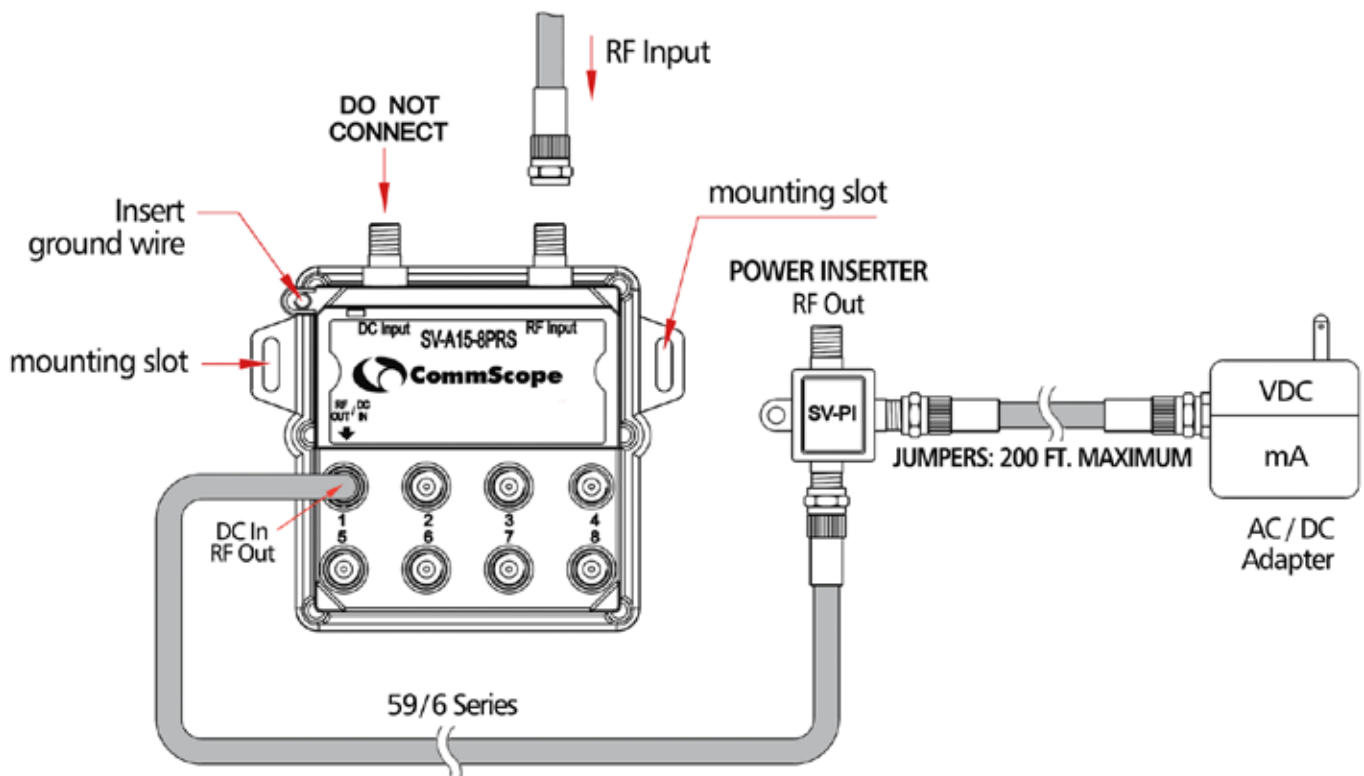
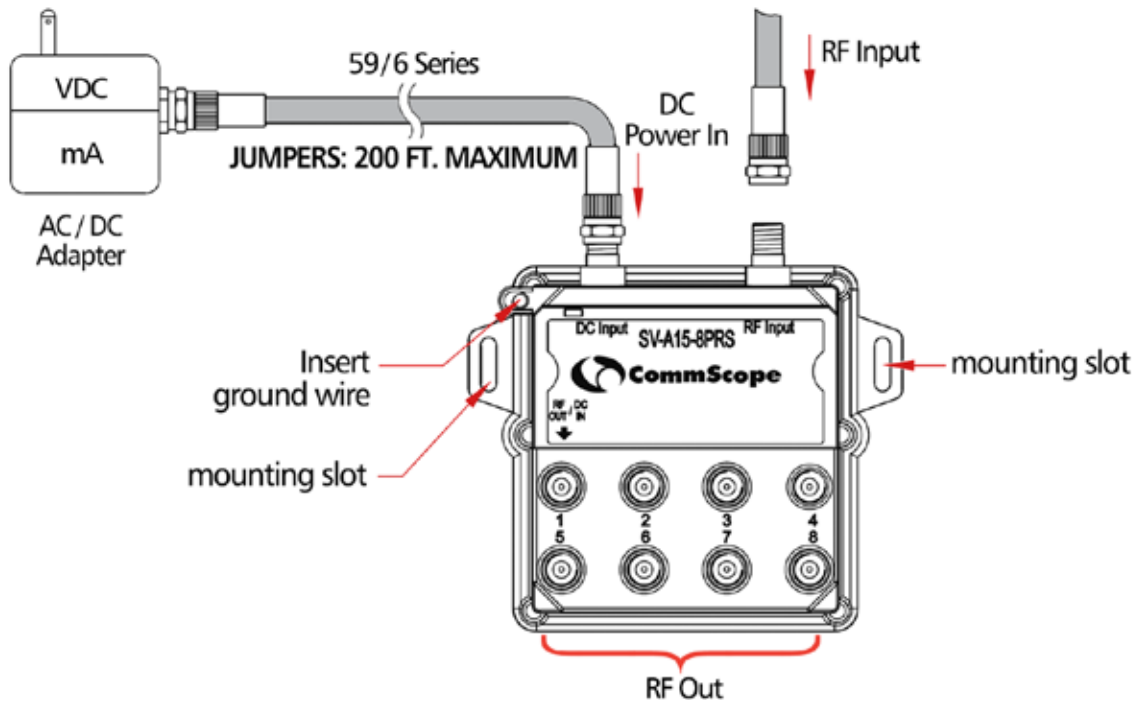
(As seen on amplifier package material)



NOTE: Please follow standard recommended cable connectorization and installation practices.

Installation Instructions

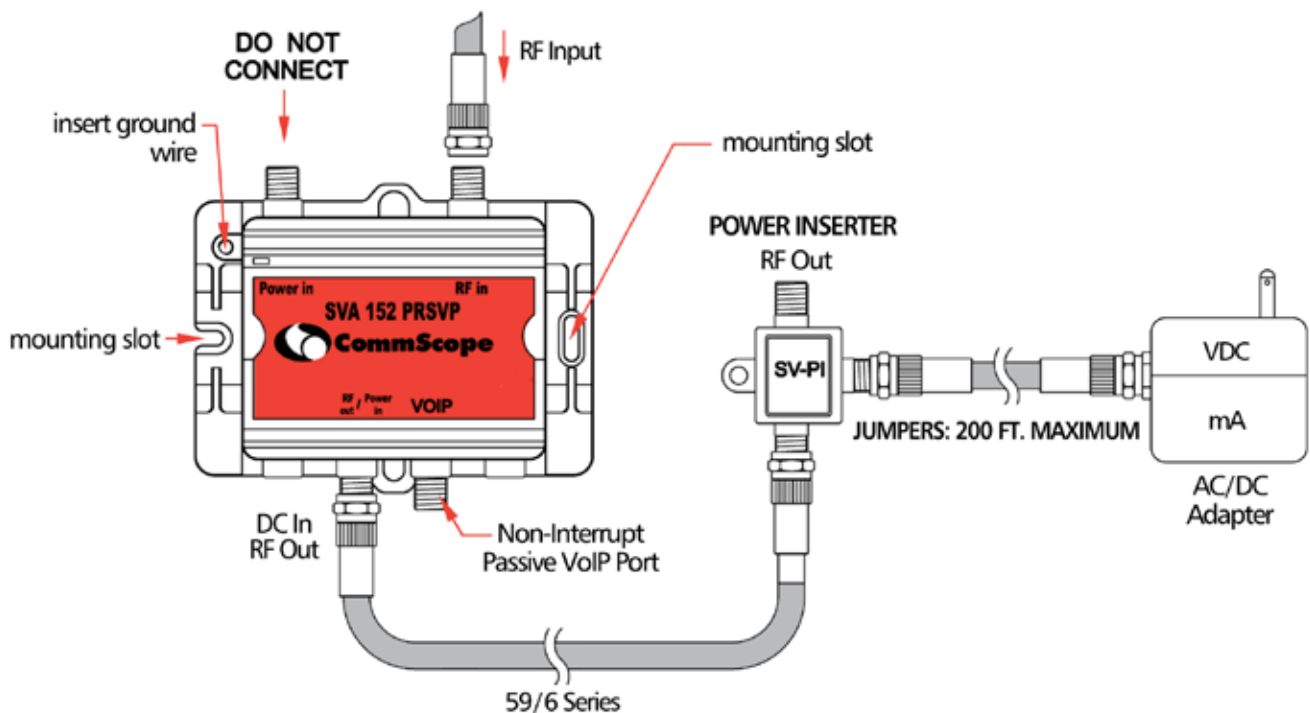
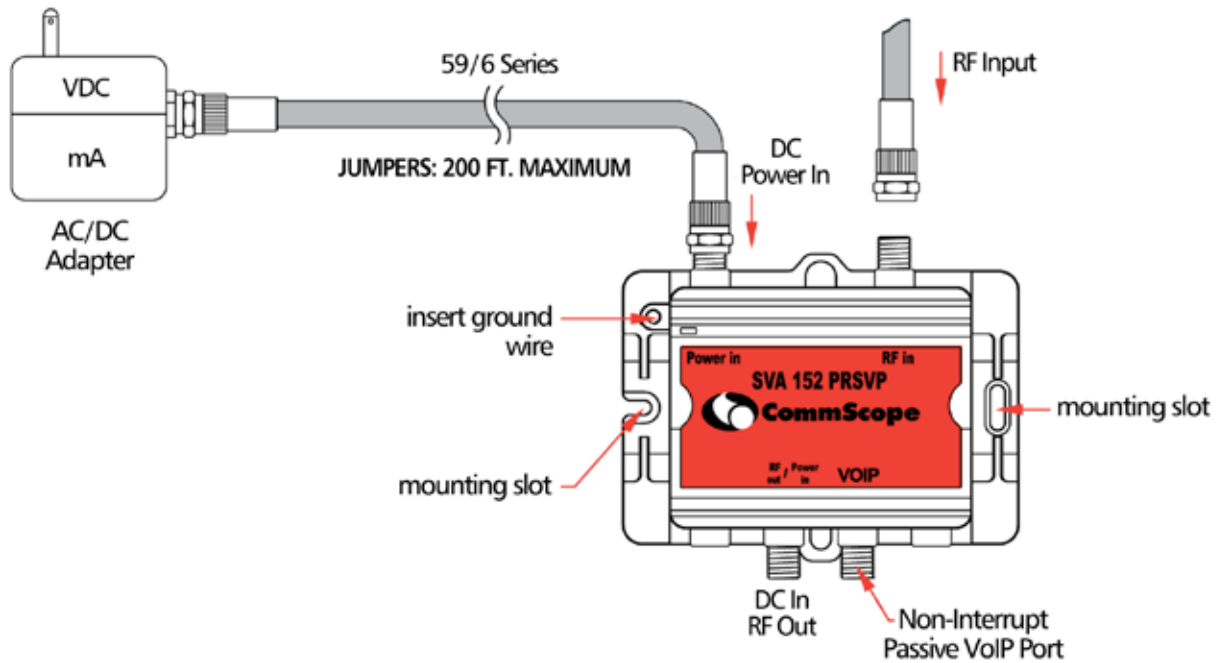
(As seen on amplifier package material)



NOTE: Please follow standard recommended cable connectorization and installation practices.

Passive VoIP Installation Instructions

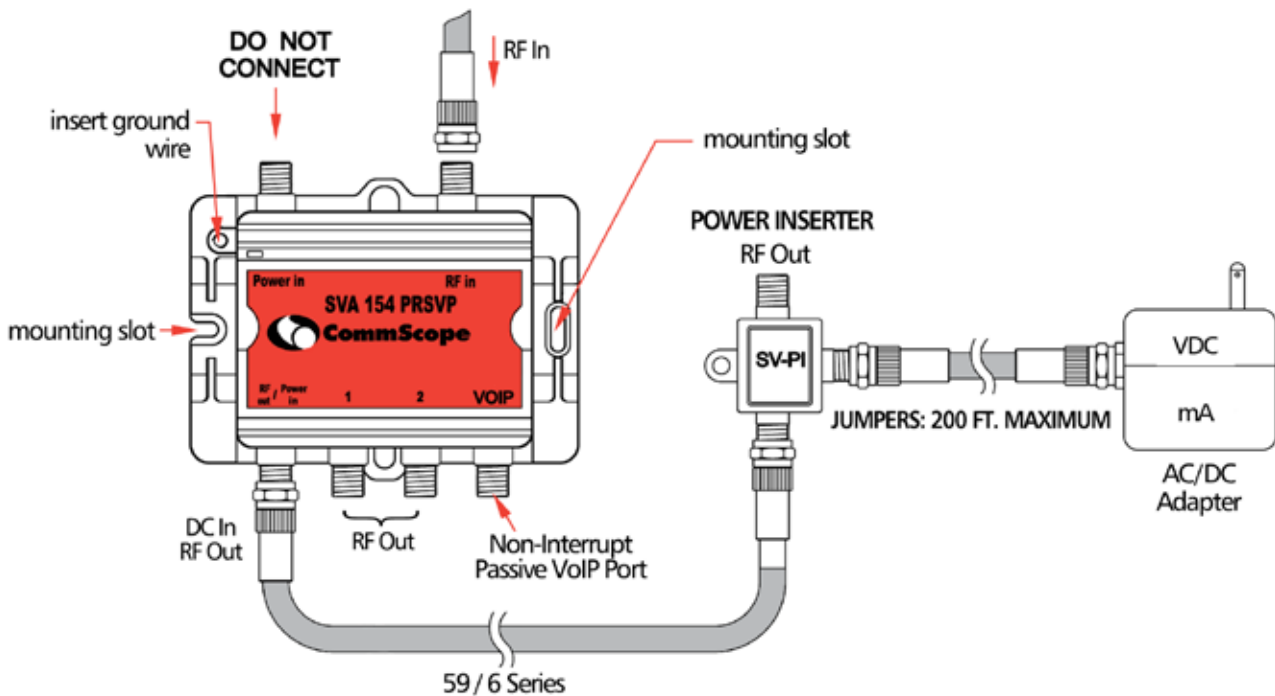
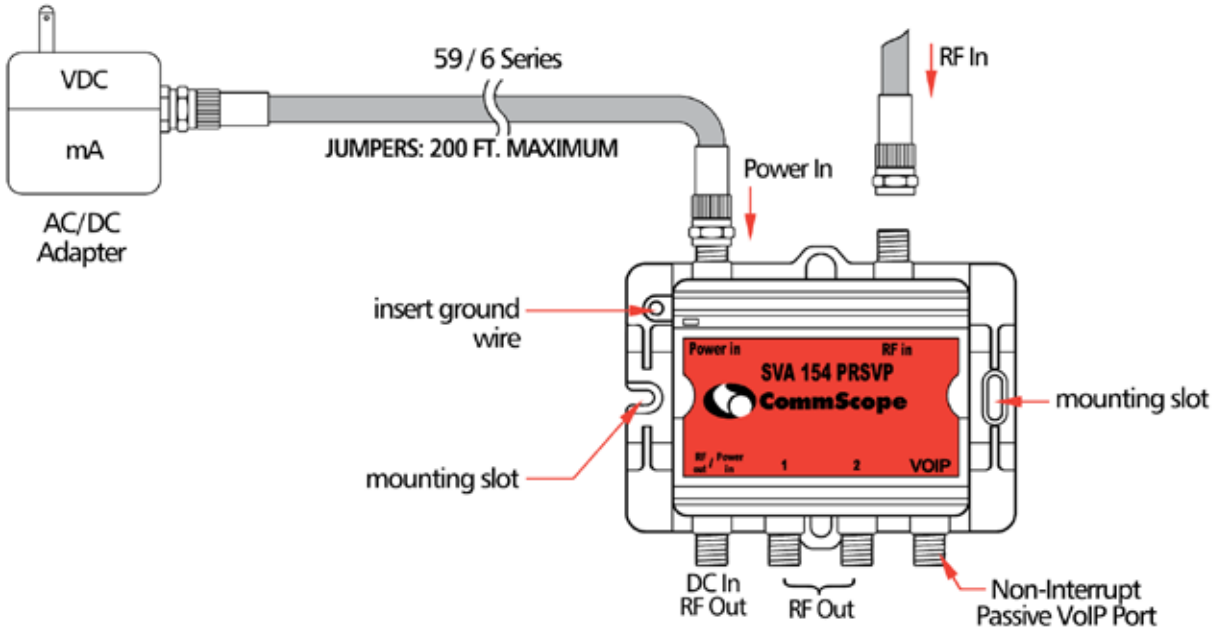
(As seen on amplifier package material)



NOTE: Please follow standard recommended cable connectorization and installation practices.

Passive VoIP Installation Instructions

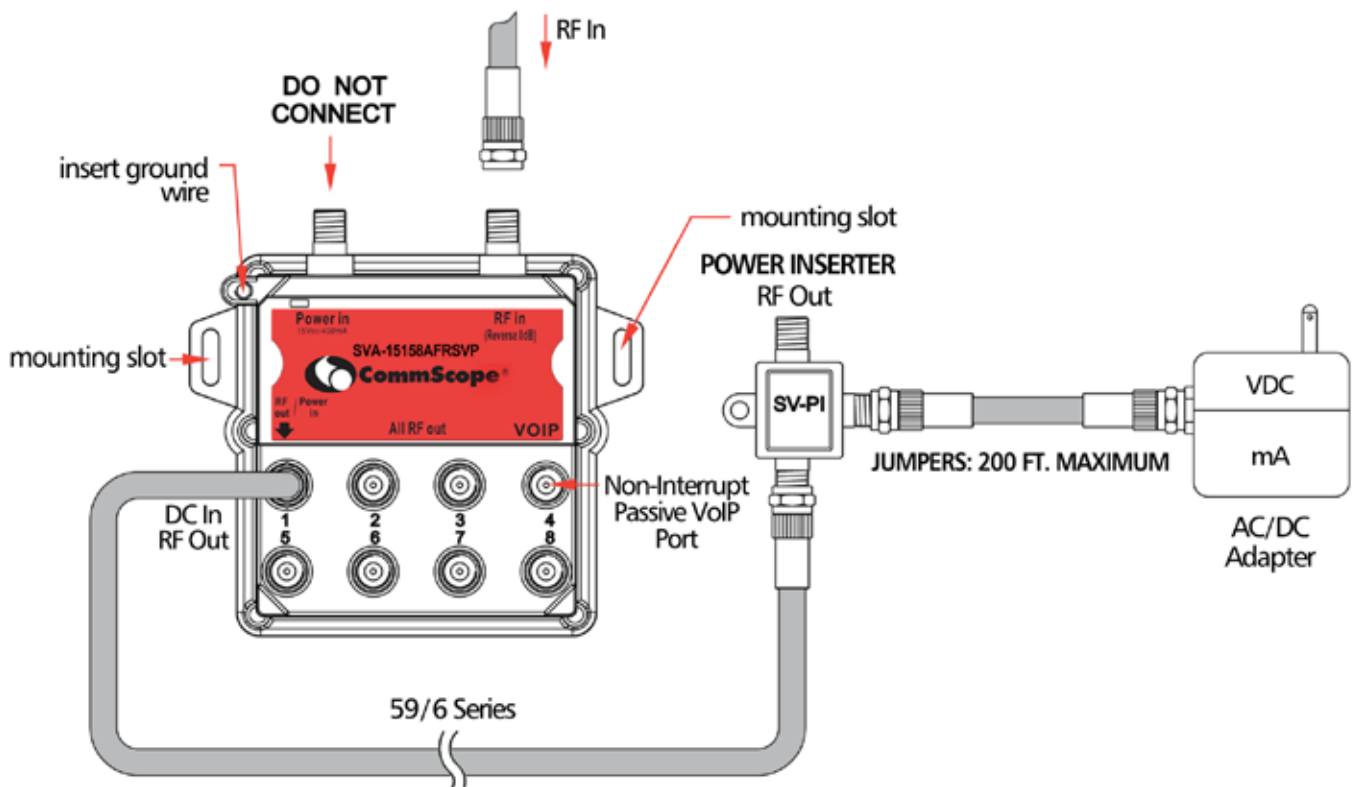
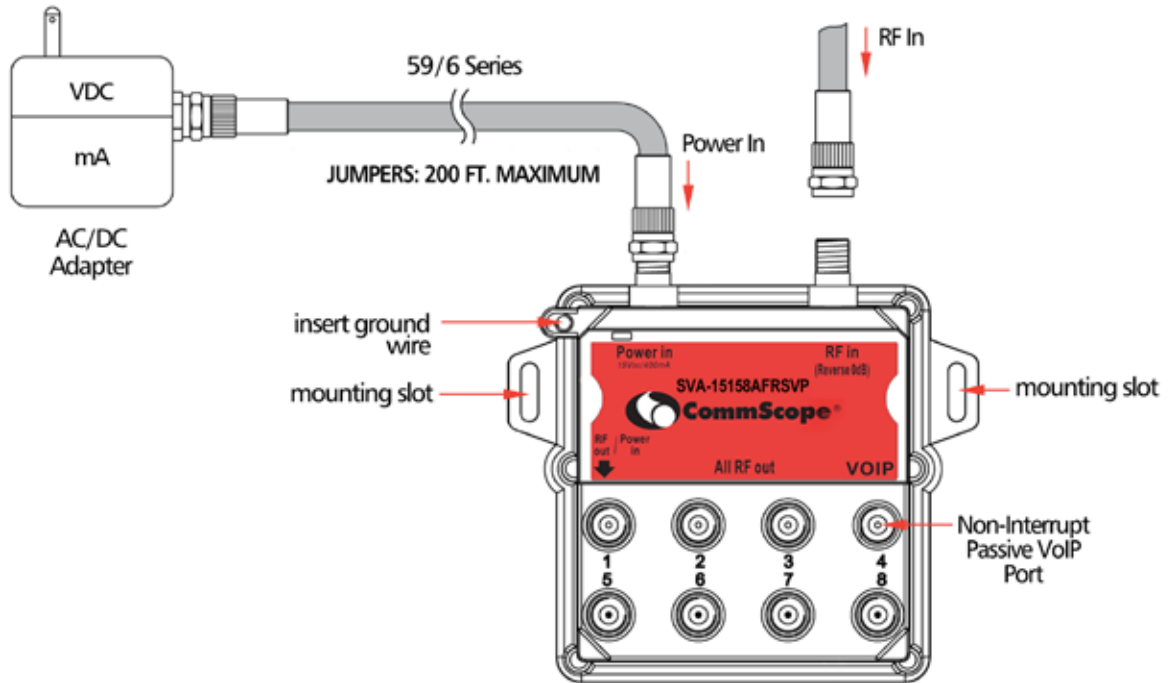
(As seen on amplifier package material)



NOTE: Please follow standard recommended cable connectorization and installation practices.

Passive VoIP Installation Instructions

(As seen on amplifier package material)



NOTE: Please follow standard recommended cable connectorization and installation practices.

COMMScope®

P.O. Box 1729 • 1100 CommScope Place, SE • Hickory, North Carolina, 28603
Tel 800.982.1708 or 828.324.2200 • www.commscope.com

©2011 CommScope, Inc. All Rights Reserved • 04.11