



1100 CommScope Place SE
P.O. Box 1729
Hickory, NC 28603-1729

(800) 982-1708

(828) 324-2200

(828) 328-3400

(828) 323-4989

Fax:
Int'l Fax:



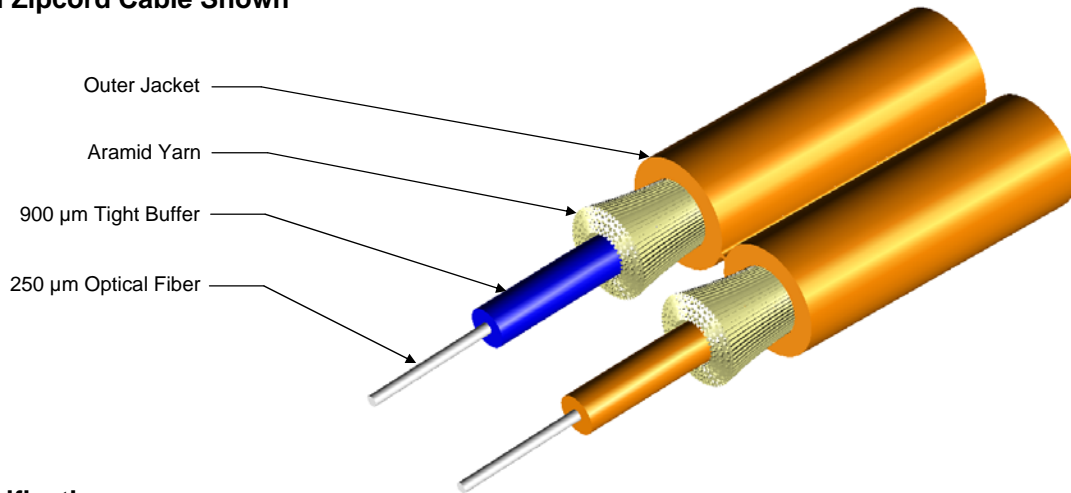
www.commscope.com

2 Fiber

Plenum Zipcord Cable

NEC Type: OFNP - (ETL) and c(ETL)

2 Fiber Plenum Zipcord Cable Shown



Physical Specifications

Fiber Count	Catalog Number	Outer Diameter x Width in. (mm)		Weight lbs/kft (kg/km)		Minimum Bend Radius in. (cm)				Max. Tensile Load lbs. (Newtons)				Maximum Vertical Rise Feet (Meters)	
						Loaded		Unloaded		Short Term		Long Term			
2	P-002-ZC-XY-F16ZZ	0.067 x 0.138	1.70 x 3.50	4.0	(6.0)	2.0	(5.0)	1.2	(3.0)	70	(311)	21	(93)	1,640	(500)
2	P-002-ZC-XY-F20ZZ	0.079 x 0.161	2.00 x 4.10	5.9	(8.8)	2.0	(5.0)	1.2	(3.0)	80	(356)	24	(107)	1,640	(500)
2	P-002-ZC-XY-F25ZZ	0.098 x 0.201	2.50 x 5.10	9.8	(14.6)	2.0	(5.0)	1.2	(3.0)	90	(400)	27	(120)	1,640	(500)
2	P-002-ZC-XY-F29ZZ	0.114 x 0.232	2.90 x 5.90	13.6	(20.2)	2.3	(5.8)	1.2	(3.0)	90	(400)	27	(120)	1,640	(500)

*Replace XY with Fiber Type and Grade (See Optical Performance Sheet)

*Replace ZZ with Jacket Color (See Cable Identification information below)

Environmental and Mechanical

	Specification	Test Method
Operating Temperature	-4°F to +158°F (-20°C to +70°C)	FOTP - 3
Installation Temperature	32°F to +158°F (0°C to +70°C)	N/A
Storage Temperature	-40°F to +158°F (-40°C to +70°C)	N/A
Crush Resistance	Exceeds 57 lbf/in (10 N/mm)	FOTP - 41
Impact Resistance	Exceeds 0.54 lbf-ft (0.74 N-m)	FOTP - 25
Flexing	Exceeds 300 cycles	FOTP - 104
Twist Bend	Exceeds	FOTP - 85

CommScope Fiber Optic Premises cables are qualified to the requirements of

Telcordia GR-409-CORE, Issue 2.



Fiber and Cable Identification

Standard Jacket Color (according to fiber type)
50µm (LaserCore™) – AQ for Aqua
62.5µm – OR for Orange
Singlemode – YL for Yellow
<i>other colors available upon request</i>
Fibers are identified with Standard color coding:
1 - Blue
2 - Orange

Drawings not to scale
Specifications subject to change
Revision Date: 3/30/09