

Fiber + Coax Hybrid Cable

1 - 12 Fiber Arid-Core® Construction

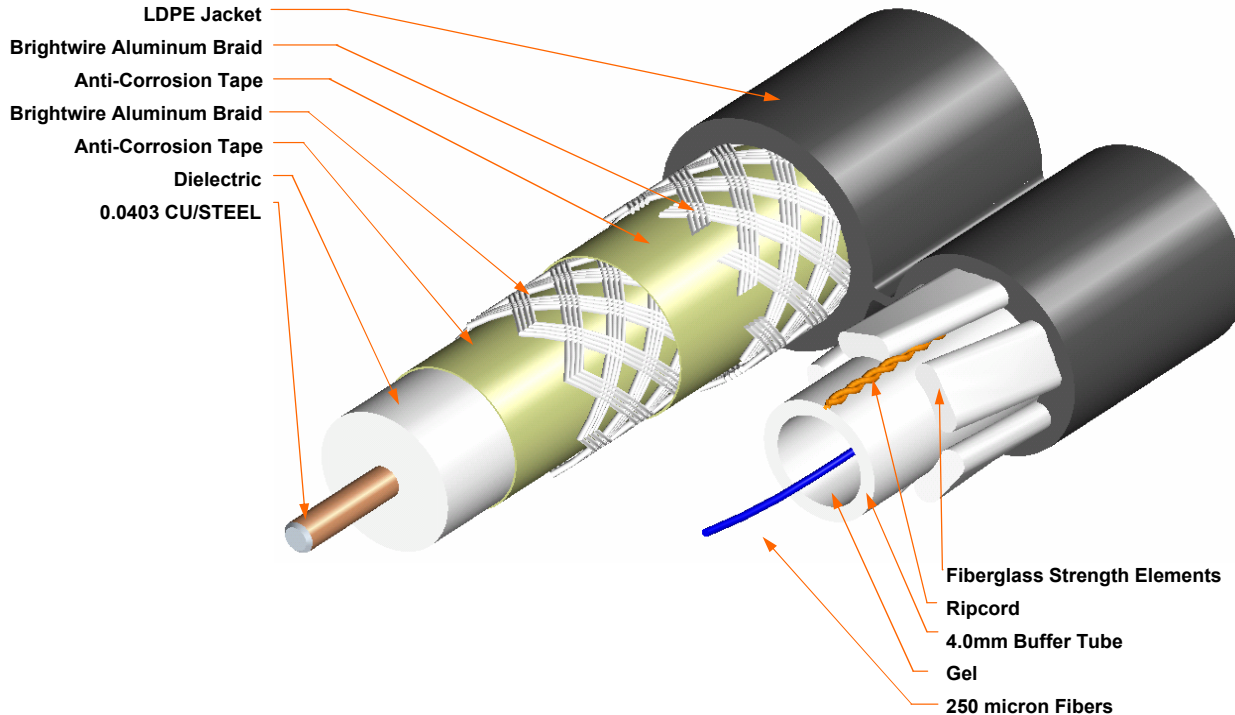
F6 Quadshield

1100 CommScope Place SE
P.O. Box 1729
Hickory, NC 28603-1729
(800) 982-1708
(828) 324-2200
(828) 328-3400
(828) 323-4989
www.commscope.com



Fax:
Int'l Fax:

O-001-DN-HY-F01NS/XY001/F6SSBW Cable Shown



Physical Specifications

Fiber Count	Catalog Number	Diameter Over Coax in. (mm)	Diameter Over Fiber in. (mm)	Weight lbs/kft (kg/km)	Minimum Bend Radius in. (cm)		Max. Tensile Load lbs. (Newtons)		Maximum Vertical Rise Feet (Meters)
					Loaded	Unloaded	Short Term	Long Term	
001 - 012	O-XXX-DN-HY-FZZNS/XYXXX/F6SSBW/40T	0.29 (7.5)	0.26 (6.6)	78 (117)	10.4 (26.4)	5.2 (13.2)	300 (1335)	90 (400)	1147 (350)

*Replace **XXX** with Number of Fibers
Replace **XY** with Fiber Type and Grade (See *Optical Performance Sheet*)
Replace **ZZ** with Number of Fibers per Tube

Environmental and Mechanical

	Specification	Test Method
Operating Temperature	-40° to 158° F (-40° to +70° C)	FOTP - 3
Installation Temperature	-22° to 140° F (-30° to +60°C)	N/A
Storage Temperature	-40° to 158° F (-40° to +70° C)	N/A
Crush Resistance	125lb/in (22N/mm)	FOTP - 41
Impact Resistance	2.17 lb-ft (2.94N-m)	FOTP - 25
Flexing	25 Cycles	FOTP - 104
Twist Bend	Exceeds	FOTP - 85

CommScope Outside Plant Fiber Optic Drop cables are qualified to the ANSI/ICEA S-110-717-2002 Standard for Optical Fiber Drop Cable



Cable Identification

Cable Jacket - Black linear low density polyethylene		
Fibers are identified with standard color coding:		
1 - Blue	5 - Slate	9 - Yellow
2 - Orange	6 - White	10 - Violet
3 - Green	7 - Red	11 - Rose
4 - Brown	8 - Black	12 - Aqua



BRIGHTWIRE™ IS A DRY, ANTI-CORROSIVE TREATMENT THAT CHEMICALLY COMBINES WITH METAL COMPONENTS TO FORM A PROTECTIVE SHIELD AGAINST WATER AND SUBSEQUENT CORROSION. (EXCEEDS THE SCTE REQUIREMENT FOR CORROSION RESISTANT CABLE).

Drawings not to scale
Specifications subject to change
Revision Date: 08/20/07