

## SYSTIMAX® Solutions

# Live Demonstration 10GBASE-T Technology Leadership

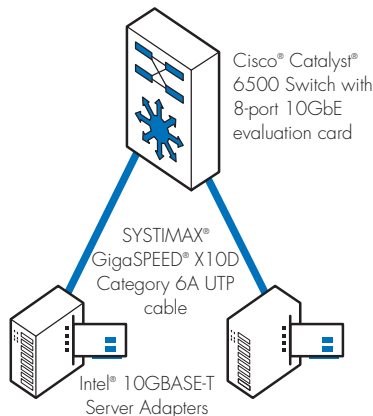
### 10 Gigabit Ethernet Goes Mainstream

10 Gigabit Ethernet (10GbE) has moved past the early adoption stage and is rapidly becoming a mainstay interconnect speed within campus, datacenter, and service provider networks. As of Q2 2007, more than 750,000 10GbE switch ports are deployed worldwide with a CAGR. of more than 100% over the last three years.

### Demand Drivers in the Datacenter

The escalating deployments of servers with multi-core processors, use of server virtualization techniques, and demanding applications such as HPC, database clusters, Storage over Ethernet, and video-on-demand are driving the need for 10GbE from the datacenter network infrastructure core to the server NIC.

## Cisco Networkers 2008: Barcelona 10GBASE-T Technology Demonstration



The recently ratified IEEE 10GBASE-T standard allows for 100-meter connectivity over Category 6A copper cabling. CommScope Enterprise Solutions through its SYSTIMAX products, Intel and Cisco worked together to exhibit an interactive demonstration of a 10GBASE-T interconnect between an Intel 10GBASE-T server adapter and a Cisco Catalyst 6503 switch over the SYSTIMAX GigaSPEED X10D Category 6A UTP cabling infrastructure at Cisco Networkers 2008: Barcelona (Spain).

The demonstration was a great success and highlighted the benefits of future 10GBASE-T products;

- 10Gb/s throughput over a Category 6A copper link
- Easy-to-use cabling with standard RJ-45 connectors
- High-density 10GbE configurations for server-switch and switch-switch connectivity



COMMSCOPE®

### Intel® 10GbE Server Adapters

Based on the Intel® 82598 10 Gigabit Ethernet Controller, Intel's new family of 10GbE adapters is optimized for multicore Intel® Xeon® processor-based servers and virtualized environments to provide better throughput and lower CPU utilization

- Multiple queues in the adapter's Ethernet controller provide faster response times and better application performance
- Virtual Machine Device Queue technology (VMDq), a component of Intel® Virtualization Technology for Connectivity (Intel® VT-c), improves overall throughput and CPU utilization in virtualized servers
- Single-port and dual-port Intel® 10 Gigabit XF SR Server Adapters are available today

### Cisco® 10GbE Catalyst Switches

Cisco offers a variety of 10GbE switches for the datacenter

#### Cisco® Catalyst® 6500 Series

- Cisco Virtual Switching System (VSS) 1440 system virtualization technology to improve L2 bandwidth, boost non-stop communication, simplify network
- Cisco® Catalyst® 6500 Series Virtual Switching Supervisor Engine 720 with 10GbE uplinks
- 4-port and 8-port 10GbE aggregation line cards with Xenpak/X2 interfaces supporting full range of 10GbE interconnect options

#### Cisco® Catalyst® 4900 Series

- Wire-speed, low-latency, 1 RU switch for rack-optimized server switching
- X2-based 10GbE uplink ports

### SYSTIMAX® 10GbE Cabling Solutions

From fiber to copper, every one of SYSTIMAX's 10Gb/s offerings is designed to exceed industry standards and work in the most stressful environments – guaranteed.

**GigaSPEED® X10D Category 6A UTP UTP** solution offering 10Gb/s to 100m

**GigaSPEED® X10D Category 6A FTP FTP** solution offering 10Gb/s to 100m

**LazrSPEED® OM3 Multimode Fiber** MM fiber solution offering 10Gb/s to 550m

**TeraSPEED® ZWP Singlemode Fiber** SM fiber solution offering 10Gb/s to 40km

### For more information

Cisco-Intel alliance: [www.cisointelalliance.com](http://www.cisointelalliance.com)  
Intel Networking Products: [www.intel.com/network](http://www.intel.com/network)  
Cisco Catalyst 4900 Series: [www.cisco.com/go/catalyst4900](http://www.cisco.com/go/catalyst4900)  
Cisco Catalyst 6500 Series: [www.cisco.com/go/catalyst6500](http://www.cisco.com/go/catalyst6500)  
SYSTIMAX 10 GbE Cabling Solutions: [www.commscope.com](http://www.commscope.com)

[www.commscope.com](http://www.commscope.com)

Visit our Web site or contact your local CommScope representative for more information. © 2011 CommScope, Inc. All rights reserved. All trademarks identified by ® or ™ are registered trademarks or trademarks, respectively, of CommScope, Inc. This document is for planning purposes only and is not intended to modify or supplement any specifications or warranties relating to CommScope products or services. 10/11

Copyright © 2007 Intel Corporation. All rights reserved. Intel, the Intel logo, and Xeon are trademarks of Intel Corporation in the U.S. and other countries. Copyright © 2007 Cisco Systems, Inc. All rights reserved. Cisco, the Cisco logo, and Catalyst are trademarks or registered trademarks of Cisco Systems, inc and/or its affiliates in the U.S. and certain other countries.

