

## Door Latch Extension Bracket Hardware for Bayed Cabinet Configurations Server and Network Cabinets

### General

For **CommScope**<sup>®</sup> server and network cabinets used in a bayed configuration, the door latch extension bracket hardware is provided. Each kit provides two extension brackets (one for front door and one for rear door) and plastic locking inserts to secure them. For 600 mm and 800 mm deep cabinets, two short brackets are provided and for 1000 mm deep cabinets, one short bracket and one long bracket is provided.

### How to Contact Us

- To find out more about **CommScope**<sup>®</sup> solutions, visit us on the web at <http://www.commscope.com/>
- For customer support regarding **CommScope** products, contact your local account representative or call 1-800-544-1948 or (828) 459-5000.

### Tools Required

None

### Verify Parts

Verify parts against one of the tables below:

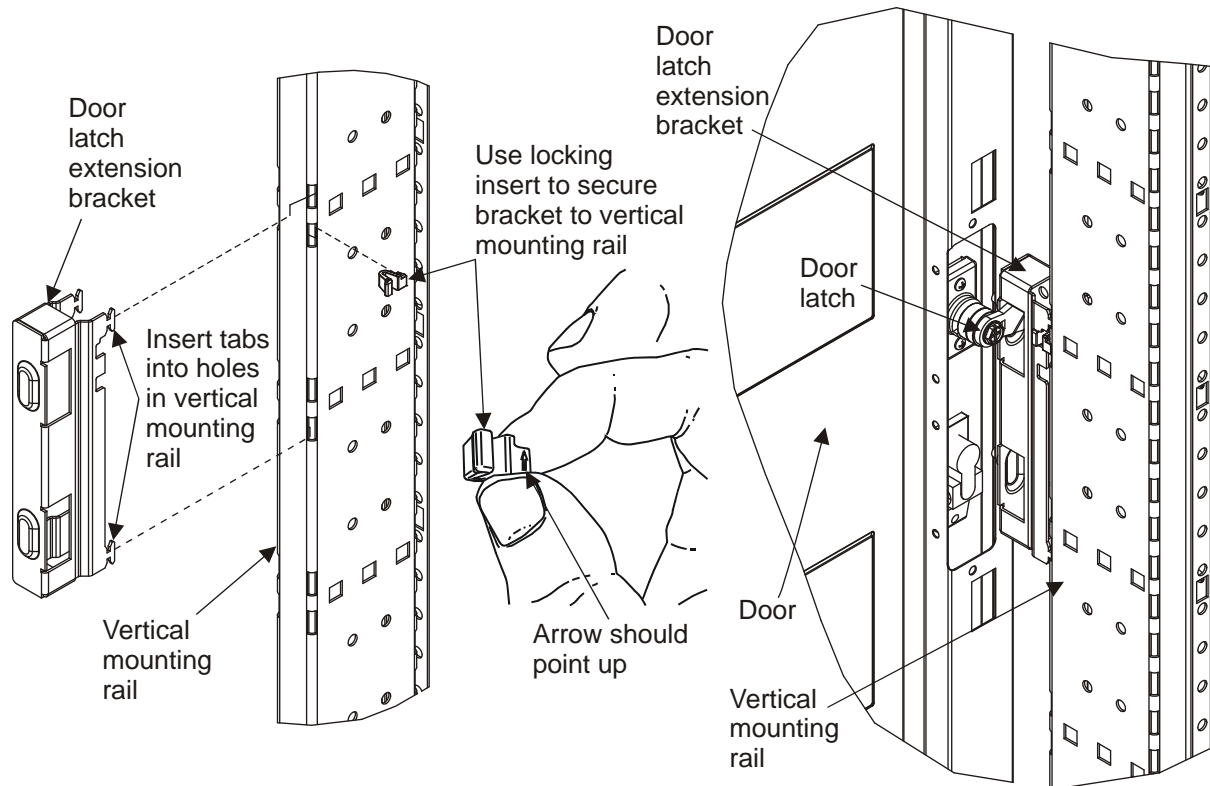
#### Door Latch Bracket Kit for 600 and 800 mm deep cabinets (760098467)

Quantity	Description
2	Door latch extension brackets (short)
4	Locking inserts (right and left)

#### Door Latch Bracket Kit for 1000 mm deep cabinets (760098475)

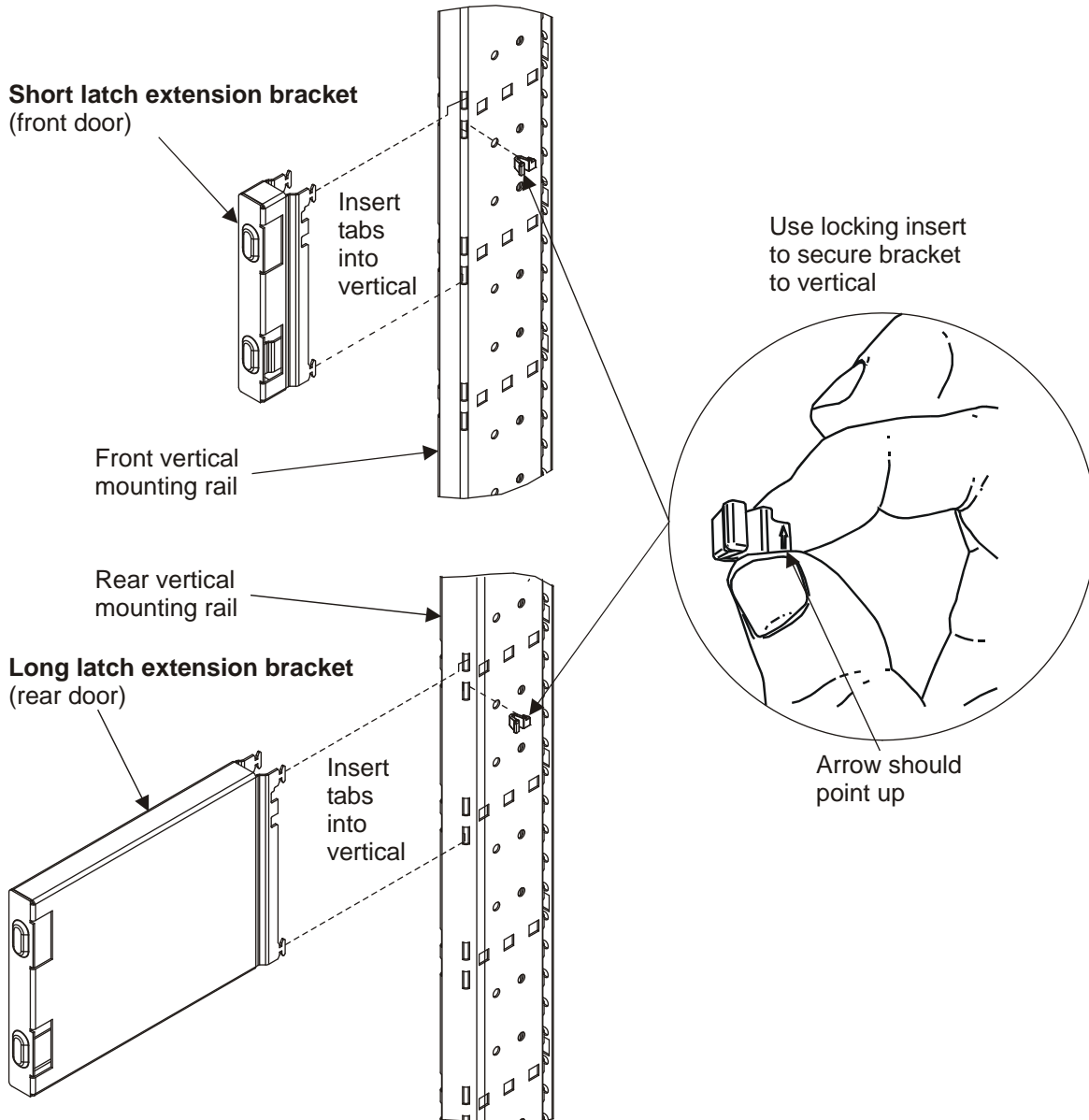
Quantity	Description
2	Door latch extension brackets (one short and one long)
4	Locking inserts (right and left)

## Install Door Latch Extension Brackets on 600/800 mm Deep Cabinets (Two Short Brackets)



1. Position a door latch extension bracket on a **front** vertical mounting rail as shown so the bracket aligns with the door latch. Bracket can be mounted on either left or right side. Left side is illustrated here.
2. Insert tabs on bracket into holes on vertical mounting rail and push down on the bracket to engage the tabs.
3. Install a locking insert into the vertical to secure the bracket in place as shown. Arrow on locking insert should point up. Inserts are provided for either left or right extension bracket mounting (only one insert is used).
4. Close door and check for proper alignment of door latch and extension bracket.
5. Repeat the procedure to install a bracket on a **rear** vertical mounting rail.

## Install Door Latch Extension Brackets on 1000 mm Deep Cabinets (One Short and One Long Bracket)



1. Position a short door latch extension bracket on a **front** vertical mounting rail as shown so the bracket aligns with the door latch. Bracket can be mounted on either left or right side. Left side is illustrated here.
2. Insert tabs on bracket into holes on vertical mounting rail and push down on the bracket to engage the tabs.
3. Install a locking insert into the vertical to secure the bracket in place as shown. Arrow on locking insert should point up. Inserts are provided for either left or right extension bracket mounting (only one insert is used).
4. Close door and check for proper alignment of door latch and extension bracket.
5. Repeat the procedure to install a long latch extension bracket on a **rear** vertical mounting rail.