

Heavy Duty Castor Installation HVY DTY CASTOR (760079392)

How to Contact Us

- To find out more about **CommScope**[®] Solutions, visit us on the web at <http://www.commscope.com/>
- For customer support regarding **CommScope** products, contact your local account representative or call 1-800-544-1948 or (828) 459-5000.

Parts List

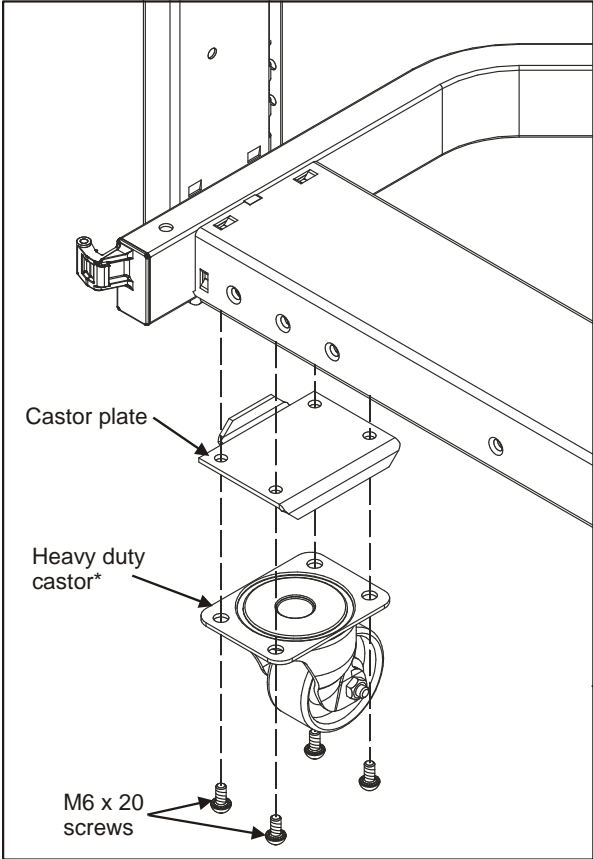
Verify parts against parts list below:

Quantity	Description
16	M6 x 20 screws
2	Braked castors
2	Non-braked castors
4	Castor plates
1	Instruction sheet

Tools Required

- 12 mm spanner (wrench)

Installation



* 490 Kg dynamic load rating and 1000 Kg static load rating for set of four.

