

UNMDU-TDM-8

General

The Uniprise® UNMDU-TDM-8 (CC0062018) Basic Telecom Module supports up to eight telecom outlets, each with up to four lines for basic telephone, fax and modem service. It includes an RJ31X interface jack providing security options for alarm systems.

How to Contact Us

- To find out more about **CommScope® Uniprise®** solutions, visit us on the web at <http://www.uniprisesolutions.com/>.
- For customer support regarding Uniprise products, contact your local account representative or call 1-800-544-1948 or (828) 459-5000.

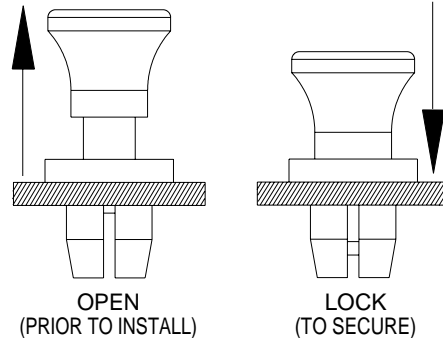
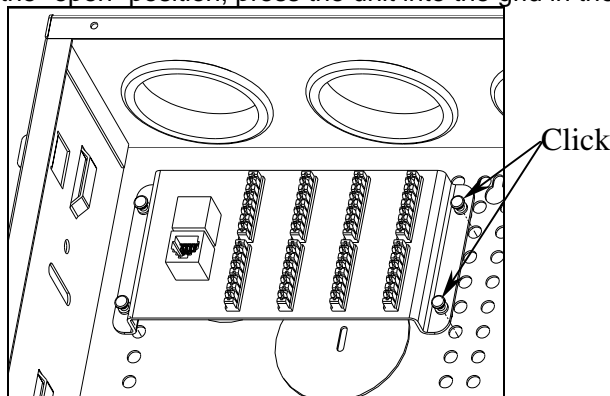
Parts List

Verify contents from the parts listed below:

Quantity	Description
1	8 Port Basic Telecom Module
1	Installation Sheet

Installation

Align the mounting pins with the grid holes on the back of the enclosure. With the mounting pin plungers in the “open” position, press the unit into the grid in the desired location, secure by pushing the plungers in.



NOTES:

- The panel may be installed horizontally (As Shown above) or vertically on either the left or right side of the enclosure.

WIRE TERMINATION PROCEDURES

Terminate Incoming Service Lines:

Run twisted pair cable to the preferred 110 IDC connector on the UNMDU-TDM-8 module at the premise demarcation point.

110 IDC Termination Procedures:

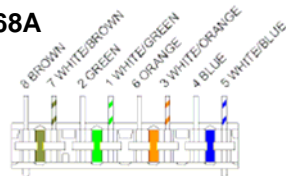
Place wires into proper slots according to selected configuration. Starting at the blue-position on the 2-pair IDC, begin with the white wire of each pair as you progress to the orange-position on the IDC as shown. Press wires into slots with punch down tool. Trim excess wire with diagonal cutter.

Terminate Premise Wiring:

Run twisted pair cable from the numbered 110 IDC's to the data jacks throughout the premise. Follow the 110 IDC Termination procedures above.

STANDARD TERMINATION FOR 110 PUNCHDOWN

T568A



This product is covered by one or more of the following U.S. patents or their foreign equivalents:
6,362,430, 6,222,124, 6,536,042.