

UNMDU-VDM

General

The Uniprise® UNMDU-VDM is a non-amplified splitter which can distribute video signals to 4, 6 or 8 television outlets throughout the premise. Use the Video Amplifier (UNMDU-VAM) for quality video signal amplification.

Part Number	Product Code	Description
UNMDU-VDM-14-1G	CC0061911	Coax Distribution Module –1x4 Splitter,1 Ghz
UNMDU-VDM-14-2G	CC0061929	Coax Distribution Module –1x4 Splitter,2 Ghz
UNMDU-VDM-16-1G	CC0061937	Coax Distribution Module –1x6 Splitter,1 Ghz
UNMDU-VDM-16-2G	CC0061945	Coax Distribution Module –1x6 Splitter,2 Ghz
UNMDU-VDM-18-1G	CC0061952	Coax Distribution Module –1x8 Splitter,1 Ghz
UNMDU-VDM-18-2G	CC0061960	Coax Distribution Module –1x8 Splitter,2 Ghz

How to Contact Us

- To find out more about **CommScope® Uniprise®** solutions, visit us on the web at <http://www.uniprisesolutions.com/>.
- For customer support regarding Uniprise products, contact your local account representative or call 1-800-544-1948 or (828) 459-5000.

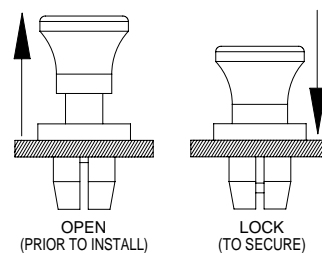
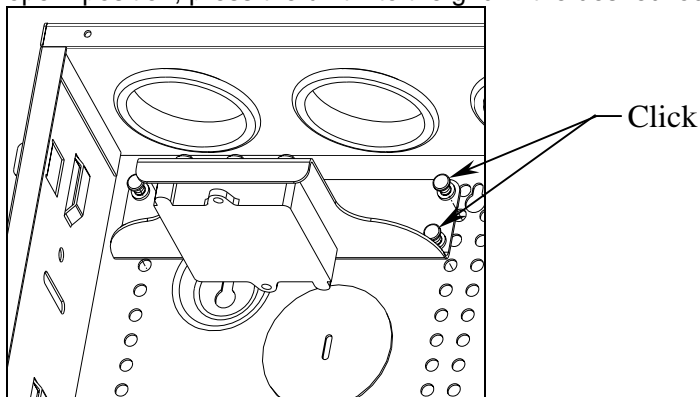
Parts List

Verify contents from the parts listed below:

Quantity	Description
1	Coax Distribution Module Assembly
1	Installation Sheet

Installation

Align the mounting pins with the grid holes on the back of the enclosure. With the mounting pin plungers in the “open” position, press the unit into the grid in the desired location, secure by pushing the plungers in.



NOTES:

1. Make sure the pins are in the “open” position prior to installing the modules into the enclosure.
2. It is **recommended** that the Coax Splitter be mounted in the location shown to ease cable management throughout the enclosure.

This product is covered by one or more of the following U.S. patents or their foreign equivalents:
6,362,430,6,222,124,6,536,042.