

UNMDU-DM Data Module Installation and Cabling

General

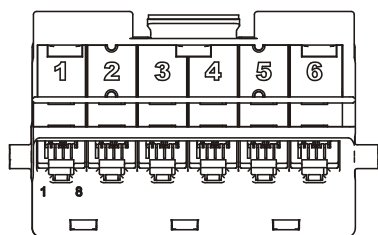
The **Uniprise**[®] UNMDU-DM data module (CC0038885) provides a patch connection to a high-speed local area network (LAN) using twisted-pair cables and meets CAT 5e requirements. The module can be used to connect computers, home security systems, home control and automation systems, Integrated Services Digital Network (ISDN) telephone service, as well as ordinary telephone service. It can be used for either EIA-T568A or EIA-T568B wiring applications. The jacks on the front of the module are used for connecting standard twisted-pair cables utilizing 8-pin modular plugs. The module is configured so that all six outlet jacks on the front have a corresponding direct input on the rear. The data module is designed to mount in the UNMDU enclosure using the UNMDU-BKT-CDM1 panel (CC0062109), ordered separately.

The data module accepts two types of connections.

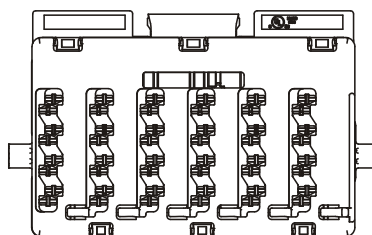
- Up to six data/telephone service feed or line inputs
- Up to six outputs for network outlet connection

How to Contact Us

- To find out more about **CommScope**[®] **Uniprise** solutions, visit us on the web at <http://www.uniprisesolutions.com/>
- For customer support regarding **Uniprise** products, contact your local account representative or call 1-800-544-1948 or (828) 459-5000.



Front



Rear

Data Module

This product is covered by one or more of the following U.S. patents or their foreign equivalents:
6,464,541, 6,443,777, 6,290,546, 6,155,881, 6,086,428, 5,700,167, 6,053,764, 5,885,110, 5,639,261.

Specifications

Wire Termination

Wire Size: 22-26 AWG (0.64 - 0.40 mm) Solid Copper
22-26 AWG (0.64 - 0.40 mm) Seven-Stranded Copper
Insulation Size: 0.050 inch (1.27 mm) maximum DOD

Reterminations

IDC Contact: 200 minimum
Modular Jack: 750 minimum

Environmental Data

Temperature Range: -40°F (-40°C) to 158°F (70°C) (Storage)
14°F (-10°C) to 158°F (70°C) (Operational)
Humidity: 95% Noncondensing

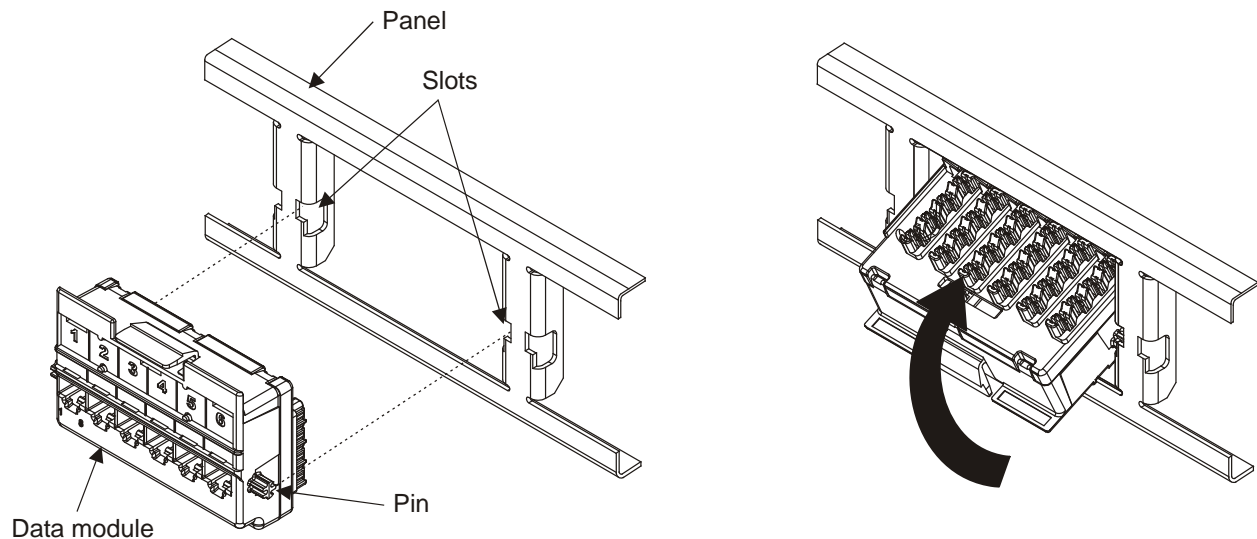
Precautions

When installing and using this product, basic safety precautions should always be followed to reduce the risk of fire, electric shock, and injury to persons, including the following:

1. Read and understand these instructions before installation.
2. Follow all warnings and instructions marked on the product.
3. Never install telephone jacks in a wet location unless jack is designed for wet locations.
4. Never install this product during a lightning storm. There is a remote risk of electric shock.
5. Never touch uninsulated communication wires or terminals.

CAUTION: All wiring that connects to this equipment must meet applicable local and national building codes and network wiring standards for communications cable.

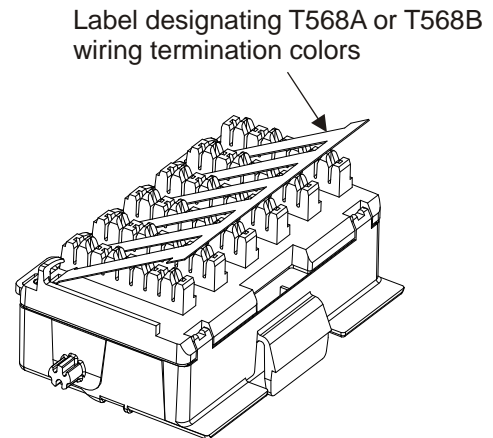
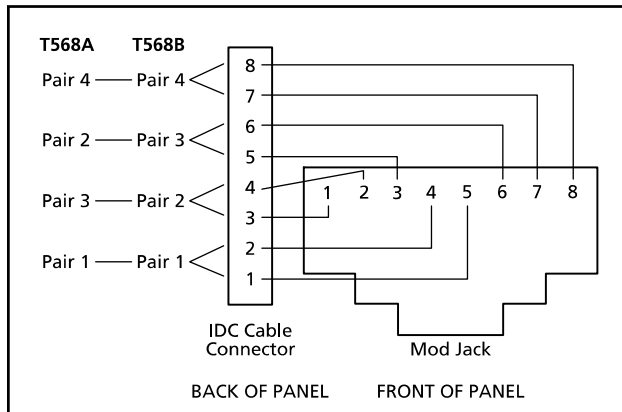
Installation



Note: The data module is designed to mount in the UNMDU-BKT-CDM1 panel (CC0062109).

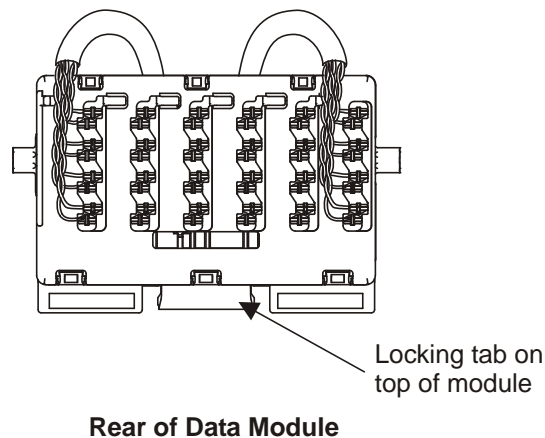
1. Orient the module so that numbers on front are right side up. Place pins on sides of module into slots at side of panel opening.
2. Pivot module up until it snaps into place.

Connecting the Data Module



The data module can accommodate either T568A or T568B wiring termination styles. Decide which termination will be used and insert the corresponding label on rear of module as shown above.

Note: The same wiring application **must** be used throughout the wiring process.



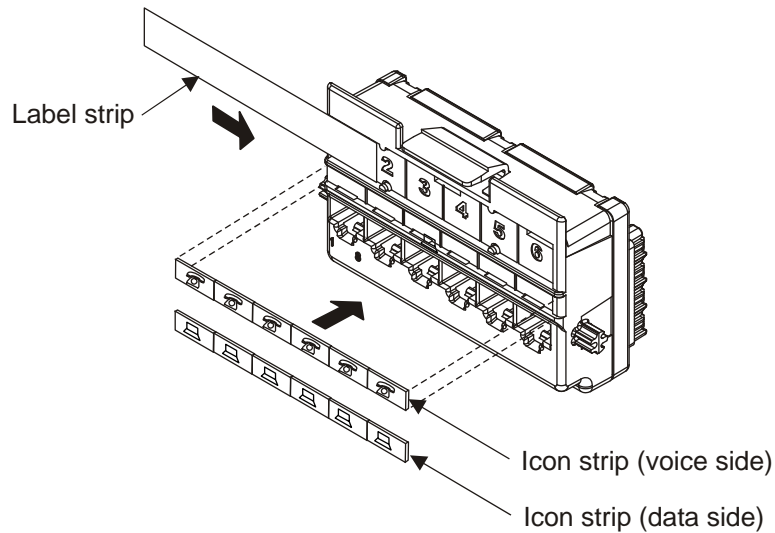
Rear of Data Module

1. Press locking tab on top of module down to release and rotate module so back surface is facing you as shown in figure above.
2. Dress each outlet data cable to pass from rear through panel opening that data module occupies.
3. Remove 1-1/2 inches (38 mm) of jacket from cable, taking care not to nick insulation on twisted pairs.
4. Separate four pairs from each other, taking care not to separate the two conductors of each pair.
5. Using punch-down tool, terminate each conductor in one of IDC fields on module according to color code on label. The conductors must enter IDC field from left, with end of conductor protruding to the right.
6. If punch-down tool does not cut the excess conductor, then trim loose end of each conductor where it emerges from terminal.
7. Rotate module back into panel until locking tab engages.

Connecting the Data Outlet Cables (Output)

1. Route and terminate outlet cables accordingly.
2. Label each jack with location of outlet as described in the step below.
3. Repeat for up to six outlet cables.
4. Use separately available patch cords to connect data module to active data device.

Applying Front Labels



1. Insert label strip into area provided on front of module as shown above to write outlet information.
2. Snap icon strip into area provided on front of module to designate outlet application (voice or data).