

General

This instruction sheet explains the procedure to be followed if an open (inoperable) circuit is traced to the 800A-type Connecting Block, and a cleaning operation is necessary. The 800A-type block is the basic DSX-1 jack circuit connecting block used in the 800-Series, 900-Series, and 900-NSD-Series of panels.



CAUTION:

Sprays and cleaners can damage plastic parts. Do not apply any sprays or cleaners to this product that have not been specifically approved. Be especially careful not to expose any plastic parts to chemicals containing trichlorethane, which is often found in cleaning fluids and lubricant sprays.

How to Contact Us

- To find out more about **Carrier Apparatus** products, visit us on the web at: <http://cw.commscope.com/>
- For technical assistance regarding Carrier Apparatus products: contact your local CommScope account representative or CommScope technical support at 1-800-344-0223.
- Report any missing or damaged parts to CommScope customer service in Omaha, Nebraska, at 1-866-539-2795.

References

- 365-301-120 — *800-Series and 900-Series DSX-1/1C Systems, System Reference Guide*

Tools Required

- 800 N/O Thru Plug (Material ID: 105 514 285)

800-TYPE DSX-1/1C CONNECTING BLOCK CLEANING PROCEDURE

⚠ CAUTION:

Do not loosen screws. Loosening screws on front housing will cause monitor contacts to release and render the monitor jacks inoperable.

1. Using a clean 800 N/O "thru" plug, insert and withdraw plug twice into defective unit. Wipe plug with a lint-free cloth (see Figure 1).

⇒ NOTE:

The use of the "thru" plug will not disrupt working circuits.

2. Retest unit for continuity.

If necessary, repeat Steps 1 and 2.

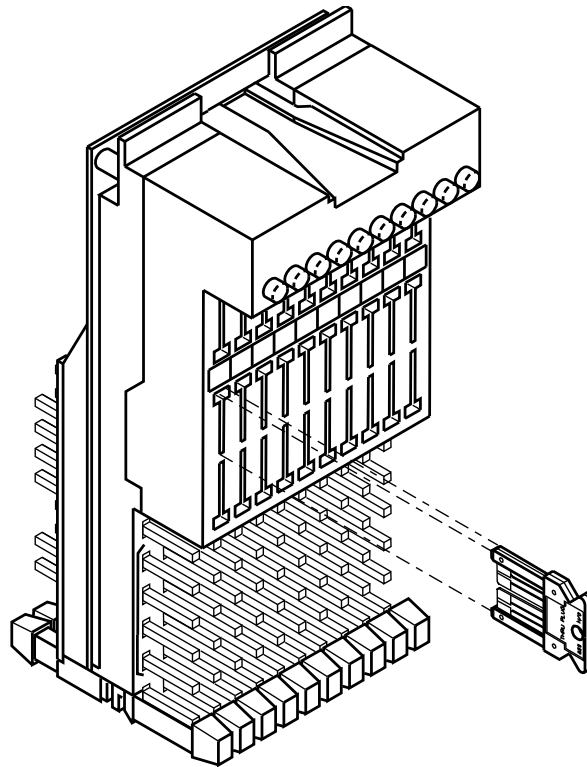


Figure 1. Cleaning 800-Type DSX-1/1C Connecting Block